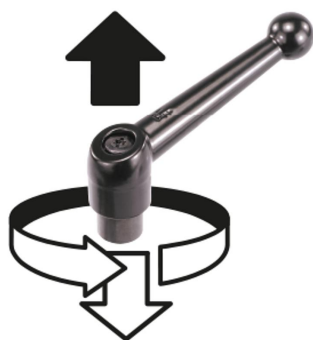


Clamping levers internal thread, steel parts stainless steel

Item description/product images



lift to
disengage



Description

Material:

Handle die-cast zinc DIN EN 12844.
Steel parts stainless steel 1.4305.

Version:

Handle powder-coated.
Stainless steel parts bright.

Note:

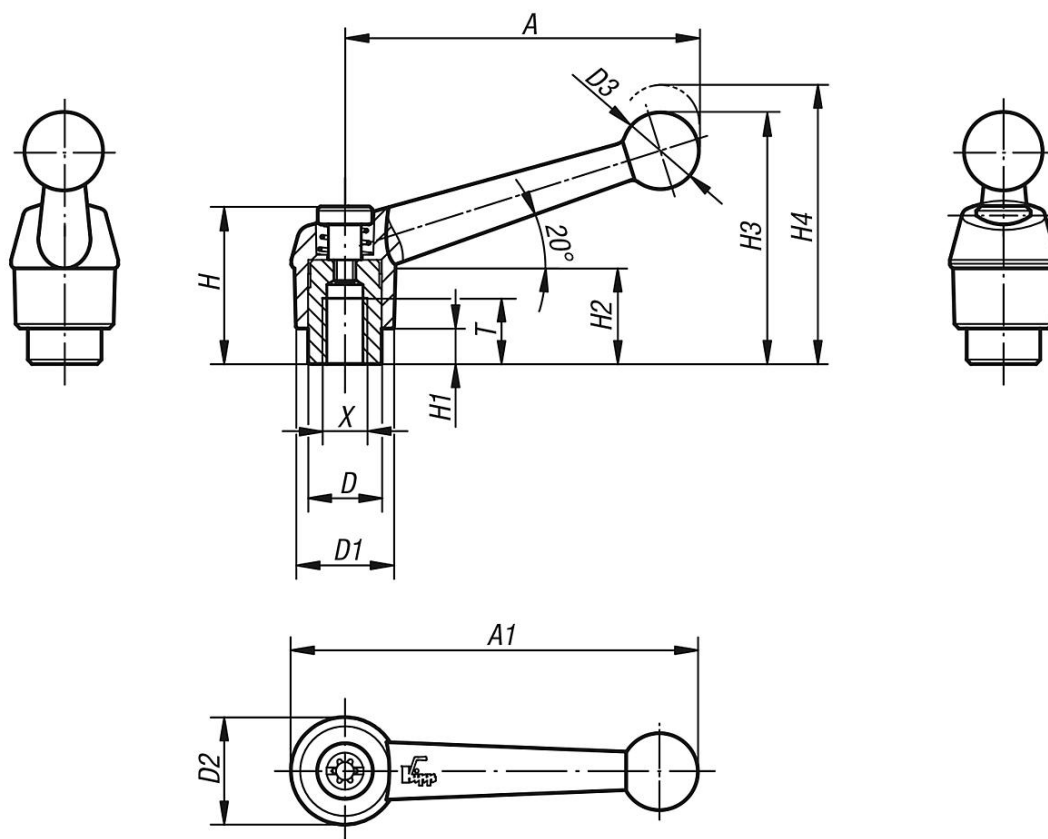
Standard colours are:
black satin finish, silver metallic.

On request:

Other threads, colours and special versions.
Dimension "H1" available in other lengths at extra charge.

Clamping levers internal thread, steel parts stainless steel

Drawings



Overview of items

Clamping levers with internal thread, steel parts stainless steel

Order No.	Main colour	Size	X	T	D	D1	D2	D3	H	H1	H2	H3	H4	A	A1	No. of teeth
K0117.1041	black	1	M4	9	10	13	14	10,5	24,5	4	15	32,5	35,5	39	46	16
K0117.1051	black	1	M5	9	10	13	14	10,5	24,5	4	15	32,5	35,5	39	46	16
K0117.1061	black	1	M6	9	10	13	14	10,5	24,5	4	15	32,5	35,5	39	46	16
K0117.2061	black	2	M6	12	13,5	18	18,5	15,5	28,5	6,5	16,5	45,5	49,5	64	73	20
K0117.2081	black	2	M8	12	13,5	18	18,5	15,5	28,5	6,5	16,5	45,5	49,5	64	73	20
K0117.3081	black	3	M8	14	16	21	22	17	37	10	23	57,5	61,5	79	90	22
K0117.3101	black	3	M10	14	16	21	22	17	37	10	23	57,5	61,5	79	90	22
K0117.4101	black	4	M10	17	19	25	26	19	42,5	10	26	67	72	95	108	24
K0117.4121	black	4	M12	17	19	25	26	19	42,5	10	26	67	72	95	108	24
K0117.5121	black	5	M12	23	23	30	31	22	49	12	32	79	84	110	126	26
K0117.5161	black	5	M16	23	23	30	31	22	49	12	32	79	84	110	126	26
K0117.1043	silver metallic	1	M4	9	10	13	14	10,5	24,5	4	15	32,5	35,5	39	46	16
K0117.1053	silver metallic	1	M5	9	10	13	14	10,5	24,5	4	15	32,5	35,5	39	46	16
K0117.1063	silver metallic	1	M6	9	10	13	14	10,5	24,5	4	15	32,5	35,5	39	46	16
K0117.2063	silver metallic	2	M6	12	13,5	18	18,5	15,5	28,5	6,5	16,5	45,5	49,5	64	73	20
K0117.2083	silver metallic	2	M8	12	13,5	18	18,5	15,5	28,5	6,5	16,5	45,5	49,5	64	73	20
K0117.3083	silver metallic	3	M8	14	16	21	22	17	37	10	23	57,5	61,5	79	90	22
K0117.3103	silver metallic	3	M10	14	16	21	22	17	37	10	23	57,5	61,5	79	90	22
K0117.4103	silver metallic	4	M10	17	19	25	26	19	42,5	10	26	67	72	95	108	24
K0117.4123	silver metallic	4	M12	17	19	25	26	19	42,5	10	26	67	72	95	108	24
K0117.5123	silver metallic	5	M12	23	23	30	31	22	49	12	32	79	84	110	126	26
K0117.5163	silver metallic	5	M16	23	23	30	31	22	49	12	32	79	84	110	126	26

