

## Toggle clamps vertical with flat foot and full holding arm

### Item description/product images



### Description

**Material:**

Steel.

**Version:**

Trivalent passivated.

Plastic grip oil-resistant.

**Note:**

The opening angle between the holding arm and the handle can be reduced or increased by repositioning or removing the stop pin.

Spindle bracket is weldable.

**Accessory:**

K0098

K0100

K0101

K0102

K0103

K0106

**Drawing reference:**

1) stop pin position 1

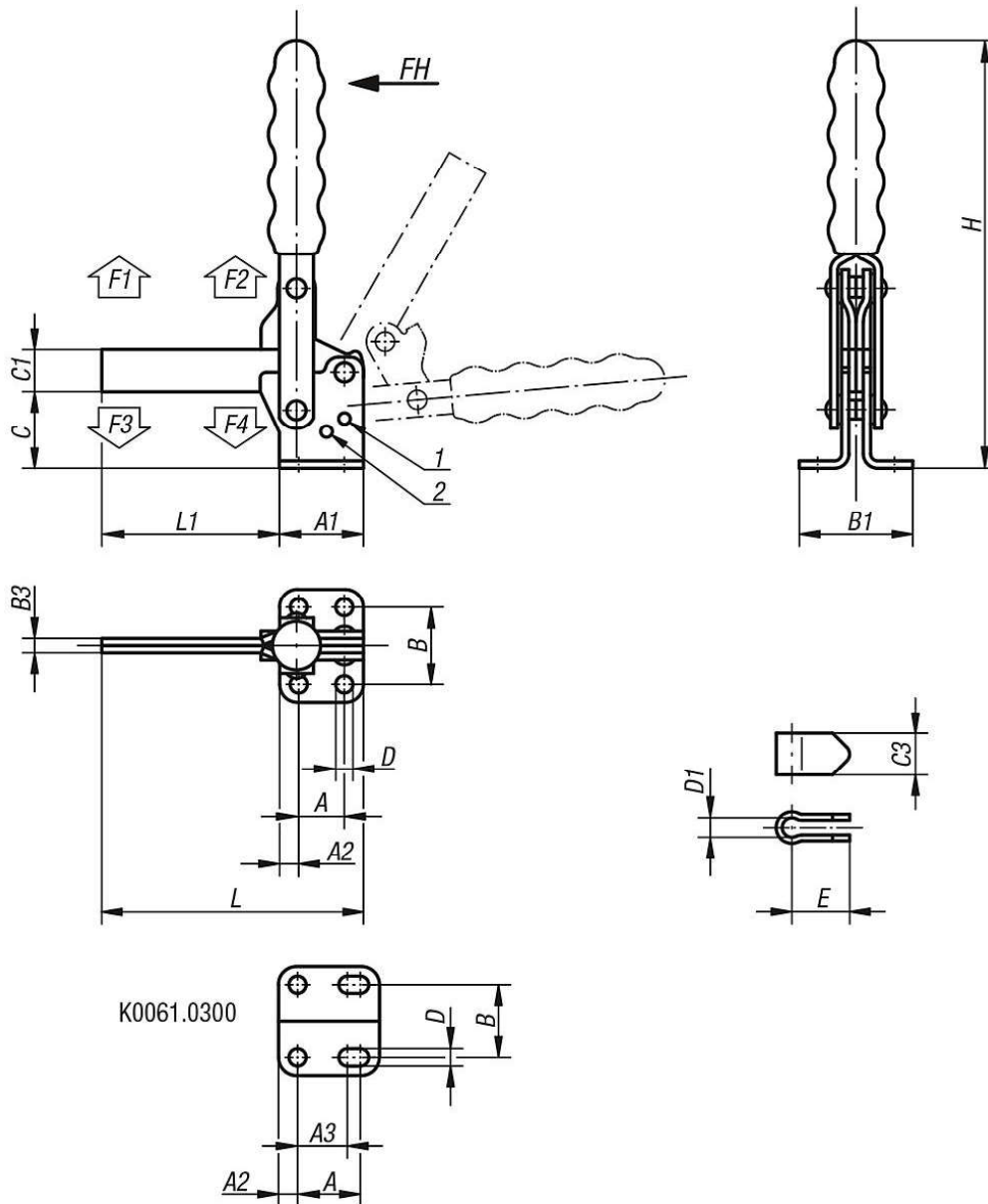
2) stop pin position 2



Angle bracket for  
front face mounting  
(see accessories)

# Toggle clamps vertical with flat foot and full holding arm

## Drawings



## Overview of items

### Toggle clamps vertical with flat foot and full holding arm

Order No.	Opening angle holding arm position 1	Opening angle holding arm position 2	Opening angle holding arm stop pin removed	Opening angle handle position 1	Opening angle handle position 2	Opening angle handle stop pin removed	Order No. Angle bracket	Matching plastic grip
K0061.0250	95°	125°	160°	70°	85°	100°	K0098.04	K0100.28
K0061.0300	105°	-	160°	65°	-	90°	-	K0100.28
K0061.0350	90°	120°	180°	70°	80°	110°	K0098.06	K0100.30
K0061.0450	90°	125°	180°	70°	85°	110°	K0098.06	K0100.34
K0061.0550	90°	120°	180°	65°	80°	110°	-	K0100.35

## Toggle clamps vertical with flat foot and full holding arm

### Overview of items

Order No.	A	A1	A2	A3	B	B1	B3	C	C1	C3	D	D1	E	H	L	L1	Clamping spindle	Hand force FH N	Retaining force F1 N	Retaining force F2 N	Clamping force F3 N	Clamping force F4 N
<b>K0061.0250</b>	19	35	8	-	32	47	6	31	17,5	17,5	7,1	8,3	24	175	112	77	M8x60	190	1000	2800	900	1700
<b>K0061.0300</b>	25	43	9	19	34,5	52	6	34	19	17,5	8	8,3	24	186	143	100	M8x60	130	2000	3700	900	1850
<b>K0061.0350</b>	32	50	9	-	45	64	8	42	22	22	8,3	10,3	30	220	149	99	M10x80	230	2200	4500	1400	3000
<b>K0061.0450</b>	32	53	10	-	45	64	10	51	25	26	8,7	12,3	32	228	180	127	M12x100	260	3200	7000	1400	3000
<b>K0061.0550</b>	51	76	12,5	-	70	95	10	84	32	32	12,3	16,3	35	312	236	160	M16x150	290	3000	8000	1800	3900