

## Toggle clamps mini horizontal with flat foot and fixed clamping spindle

### Item description/product images



### Description

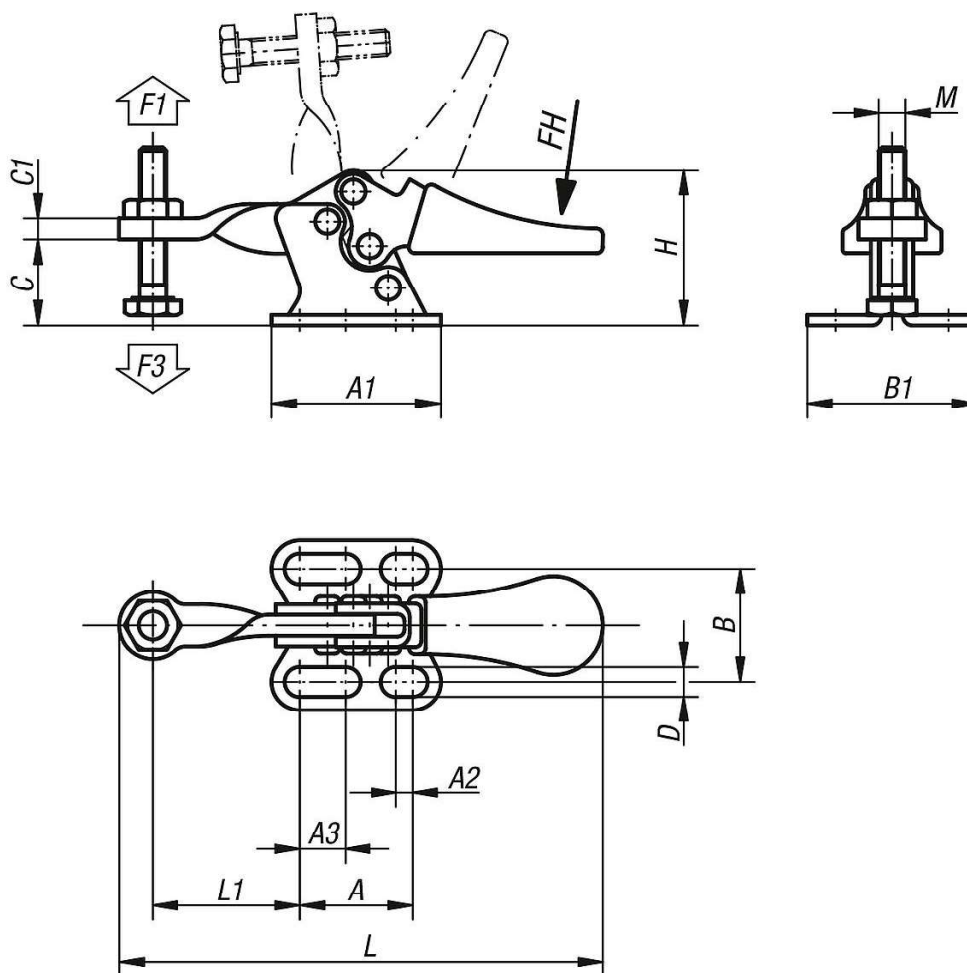
**Material:**  
Steel.

**Version:**  
Trivalent passivated.  
Clamping spindle and nuts phosphated.  
Plastic grip oil-resistant.

### Accessory:

K0101  
K0102  
K0103  
K0106

### Drawings



### Overview of items

# Toggle clamps mini horizontal with flat foot and fixed clamping spindle

## Overview of items

### Toggle clamps mini horizontal with flat foot and fixed clamping spindle

Order No.	Opening angle of holding arm	Opening angle of handle	Hand force FH N	Retaining force F1 N	Clamping force F3 N
<b>K0070.0050</b>	85°	65°	80	500	250

Order No.	A	A1	A2	A3	B	B1	C	C1	D	H	L	L1	M
<b>K0070.0050</b>	16	24	2,4	6,5	16	24	12	3	4,2	22	70	21	M5x20