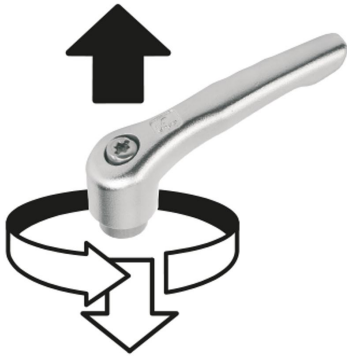


## Clamping levers internal thread, stainless steel

### Item description/product images



lift to  
disengage



### Description

**Material:**

Handle investment cast 1.4308.

Other steel parts 1.4305.

**Version:**

Handle electropolished or blasted.

Metal parts bright.

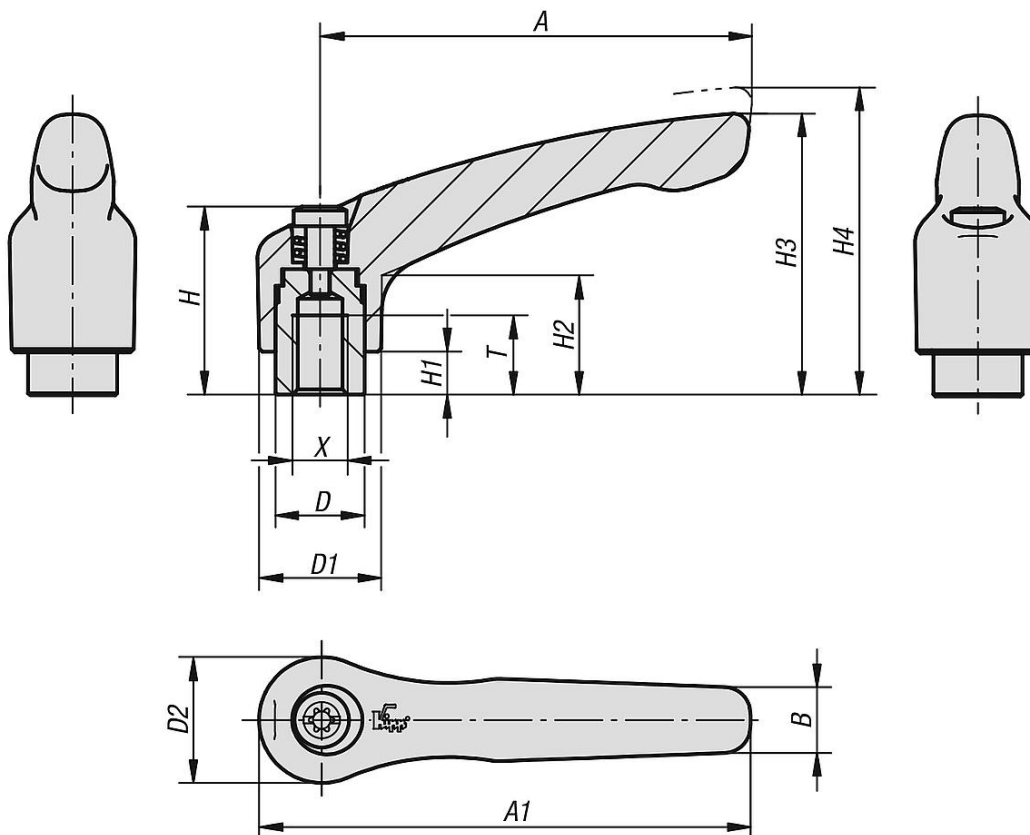
**On request:**

Other threads and special versions.

Dimension "H1" available in other lengths at extra charge.

# Clamping levers internal thread, stainless steel

## Drawings



## Overview of items

### Clamping levers with internal thread, stainless steel

Order No.	Main colour	X	A	A1	B	D	D1	D2	H	H1	H2	H3	H4	T	No. of teeth
K0124.104	electropolished	M4	40	47	7	10	13	14	24,5	4	14,5	31	34	9	16
K0124.105	electropolished	M5	40	47	7	10	13	14	24,5	4	14,5	31	34	9	16
K0124.106	electropolished	M6	40	47	7	10	13	14	24,5	4	14,5	31	34	9	16
K0124.206	electropolished	M6	65	74,5	10	13,5	18,5	19	28,5	6,5	17,5	42,5	45,5	12	20
K0124.208	electropolished	M8	65	74,5	10	13,5	18,5	19	28,5	6,5	17,5	42,5	45,5	12	20
K0124.308	electropolished	M8	80	91	11	16	21	22	37	10	24	54,5	58,5	14	22
K0124.310	electropolished	M10	80	91	11	16	21	22	37	10	24	54,5	58,5	14	22
K0124.410	electropolished	M10	95	109	13	19	27	27,5	43	10	27	63	67,5	17	24
K0124.412	electropolished	M12	95	109	13	19	27	27,5	43	10	27	63	67,5	17	24
K0124.512	electropolished	M12	110	126	15	23	31	32	49	12	31,5	73	77,5	23	26
K0124.516	electropolished	M16	110	126	15	23	31	32	49	12	31,5	73	77,5	23	26
K0124.104153	blasted	M4	40	47	7	10	13	14	24,5	4	14,5	31	34	9	16
K0124.105153	blasted	M5	40	47	7	10	13	14	24,5	4	14,5	31	34	9	16
K0124.106153	blasted	M6	40	47	7	10	13	14	24,5	4	14,5	31	34	9	16
K0124.206153	blasted	M6	65	74,5	10	13,5	18,5	19	28,5	6,5	17,5	42,5	45,5	12	20
K0124.208153	blasted	M8	65	74,5	10	13,5	18,5	19	28,5	6,5	17,5	42,5	45,5	12	20
K0124.308153	blasted	M8	80	91	11	16	21	22	37	10	24	54,5	58,5	14	22
K0124.310153	blasted	M10	80	91	11	16	21	22	37	10	24	54,5	58,5	14	22
K0124.410153	blasted	M10	95	109	13	19	27	27,5	43	10	27	63	67,5	17	24
K0124.412153	blasted	M12	95	109	13	19	27	27,5	43	10	27	63	67,5	17	24
K0124.512153	blasted	M12	110	126	15	23	31	32	49	12	31,5	73	77,5	23	26
K0124.516153	blasted	M16	110	126	15	23	31	32	49	12	31,5	73	77,5	23	26

