

Toggle clamps mini horizontal with flat right foot and adjustable clamping spindle

Item description/product images



Description

Material:

Steel.

Version:

Trivalent passivated.

Clamping spindle and nuts phosphated.

Plastic grip oil-resistant.

Accessory:

K0101

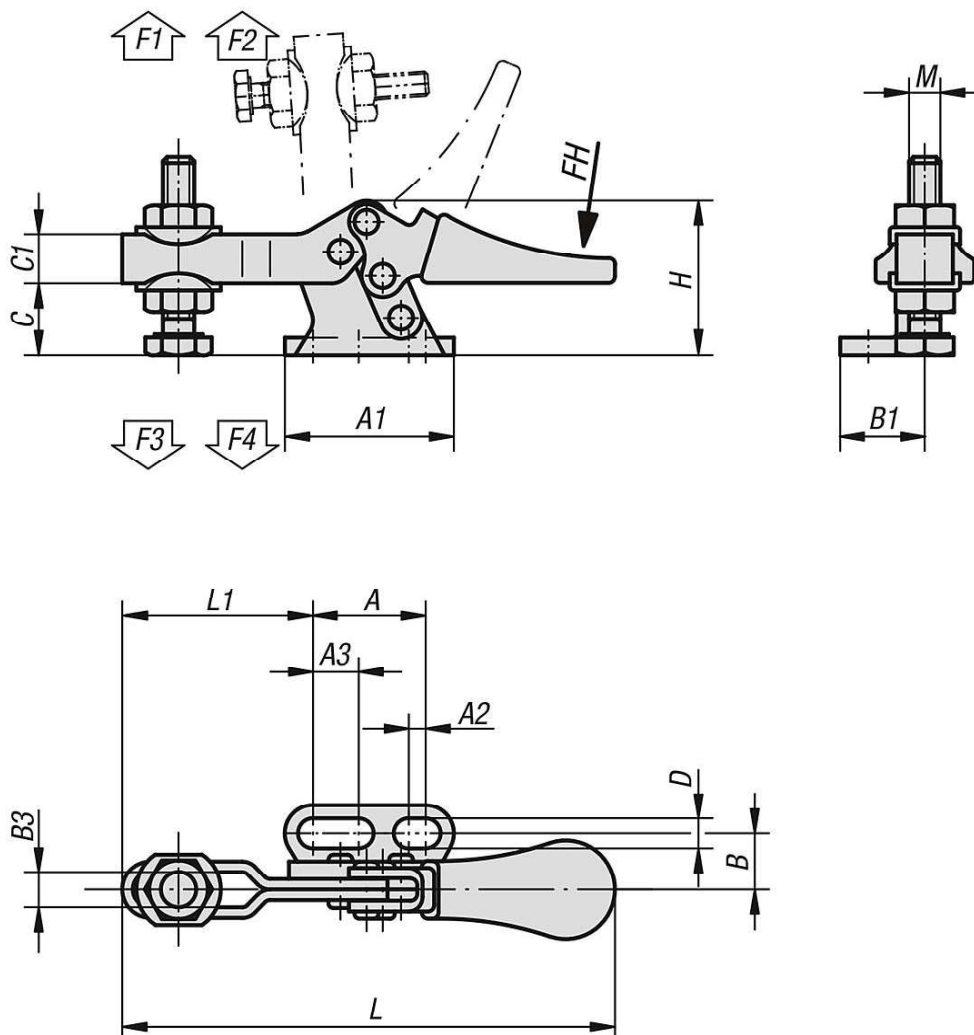
K0102

K0103

K0106

K0107

Drawings



Toggle clamps mini horizontal with flat right foot and adjustable clamping spindle

Overview of items

Toggle clamps mini horizontal with flat right foot and adjustable clamping spindle

Order No.	Opening angle of holding arm		Opening angle of handle		Hand force FH N	Retaining force F1 N	Retaining force F2 N	Clamping force F3 N	Clamping force F4 N
K0267.0050	85°		65°		80	250	550	170	370

Order No.	A1	A	A2	A3	B	B1	B3	C	C1	D	H	L	L1	M
K0267.0050	24	16	2,4	6,5	8	12	5,2	9,5	7	4,2	22	70	27	M5x20