

## Spring plungers with hexagon socket and thrust pin, stainless steel

### Item description/product images



### Description

#### Material:

Sleeve 1.4305.  
Thrust pin 1.4034.  
Spring 1.4310.

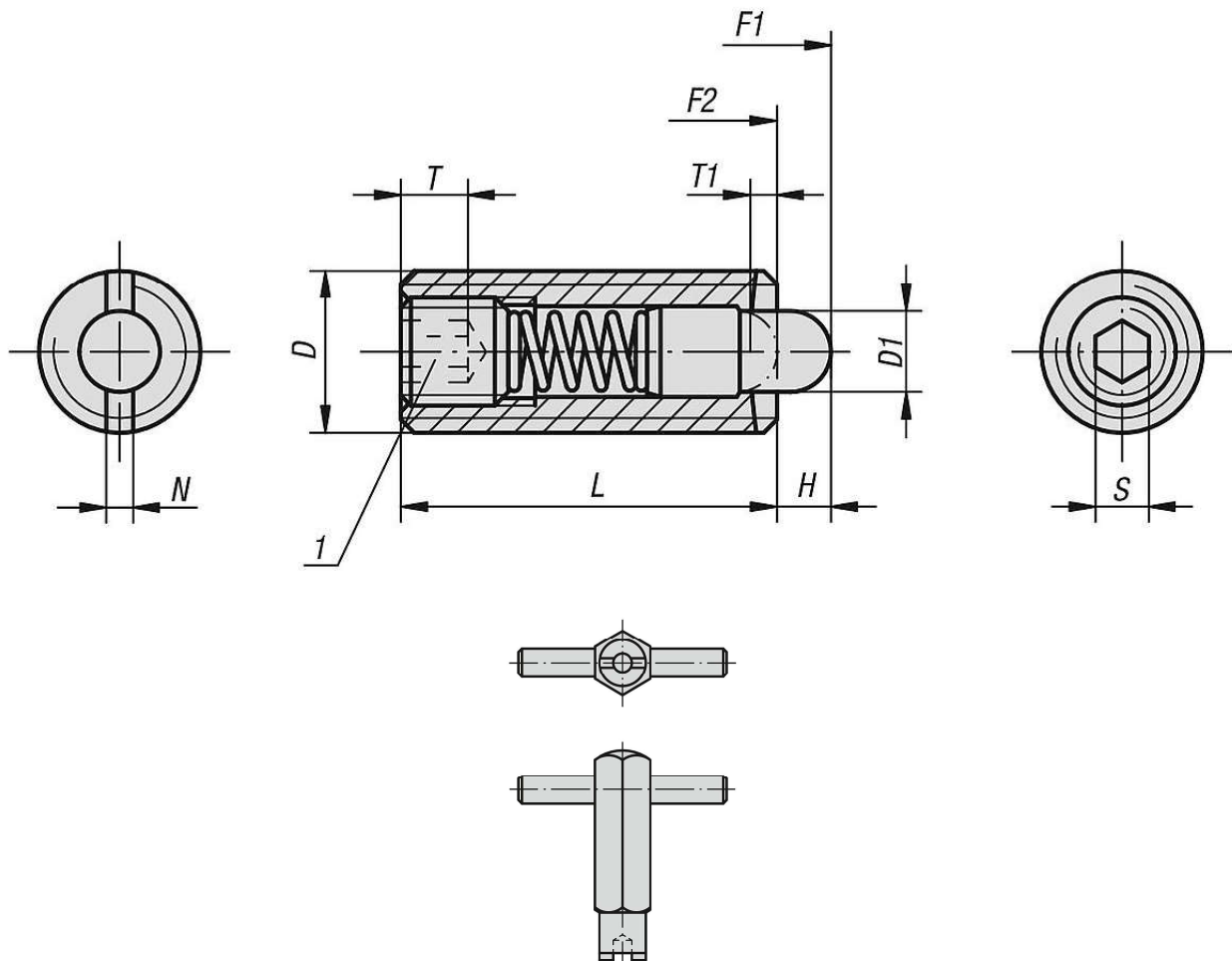
#### Version:

Bright.  
Thrust pin hardened.

#### Drawing reference:

1) grub screw glued in

### Drawings



### Overview of items

### Spring plungers with hexagon socket and thrust pin, standard spring force

## Spring plungers with hexagon socket and thrust pin, stainless steel

### Overview of items

Order No.	D	D1	H	L	T	T1	N	S	Spring force initial pressure F1 approx. N	Spring force final pressure F2 approx. N	Order No. assembly key
K0319.03	M3	1	1,5	10	1,5	1	0,4	0,7	0,4	2,5	K0317.903
K0319.04	M4	1,5	1,5	15	2	0,6	0,6	1,3	5	16	K0317.904
K0319.05	M5	2,4	2,3	18	2	0,8	0,8	1,5	5	17	K0317.905
K0319.06	M6	2,7	2,5	20	2,5	1	1	2	6	17	K0317.906
K0319.08	M8	3,5	3	22	3	1,4	1,2	2,5	7	29	K0317.908
K0319.10	M10	4	3	22	3,5	1,4	1,6	3	8	31	K0317.910
K0319.12	M12	6	4	28	5	2	2	4	10	47	K0317.912
K0319.16	M16	7,5	5	32	6	2,5	2,5	5	38	85	K0317.916
K0319.205	M5	2,4	2,3	18	2	0,8	0,8	1,5	9	26	K0317.905
K0319.206	M6	2,7	2,5	20	2,5	1	1	2	11	35	K0317.906
K0319.208	M8	3,5	3	22	3	1,4	1,2	2,5	15	48	K0317.908
K0319.210	M10	4	3	22	3,5	1,4	1,6	3	15	58	K0317.910
K0319.212	M12	6	4	28	5	2	2	4	19	74	K0317.912