

# Clamp straps assorted, long slot

## Item description/product images

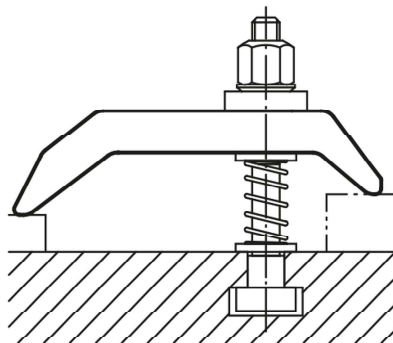


### Description

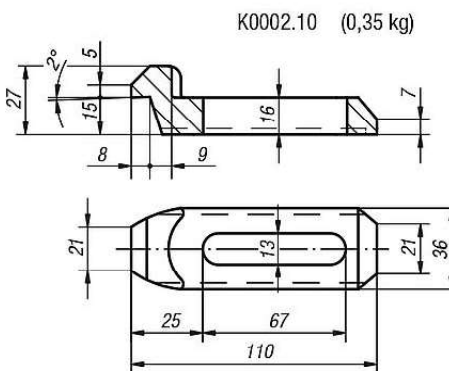
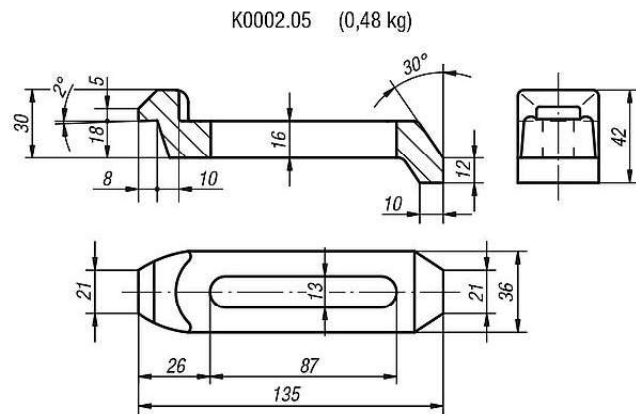
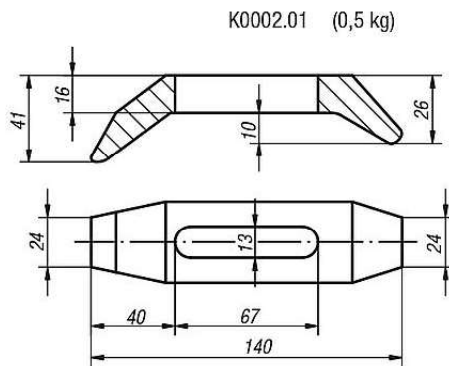
**Material:**  
Carbon steel 1.7225

**Version:**  
Tempered to 1000 N/mm<sup>2</sup>, black oxidised.

**Note:**  
These are the same clamp straps that are used with the adjustment units K0004.



## Drawings



## Overview of items

## Clamp straps assorted, long slot

### Overview of items

---

#### Clamp straps, assorted, long slot

Order No.	Item
K0002.01	Clamp Strap
K0002.05	Clamp Strap
K0002.10	Clamp Strap