

Cam clamps double

Item description/product images



Description

Material:

Cam lever carbon steel 1.7220.

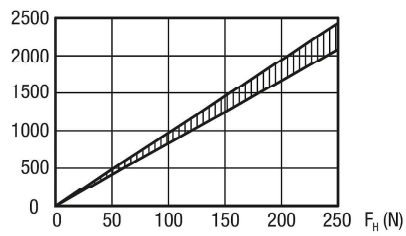
Strap carbon steel 1.1191

Version:

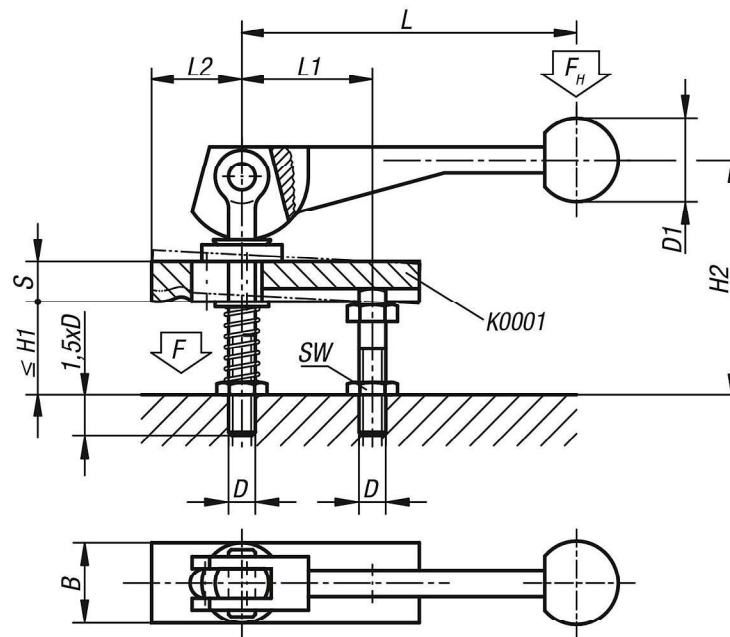
Black oxidised.

Force diagram

F (N)



Drawings



Cam clamps double

Overview of items

Cam clamps, double

Order No.	L	L1	L2	B	S	H1 max.	H2	D	D1	SW
K0011.08	104±2	39	37	20	12	28	74	M8	25	13
K0011.10	123±2	49	46	25	16	39	92	M10	30	17
K0011.12	146±3	61	58	32	20	49	120	M12	30	19