

## Wedge clamps

### Item description/product images



### Description

#### Material:

Channel aluminium profile.  
Wedge hardened steel.

#### Version:

Channel anodised.  
Wedge black oxidised.

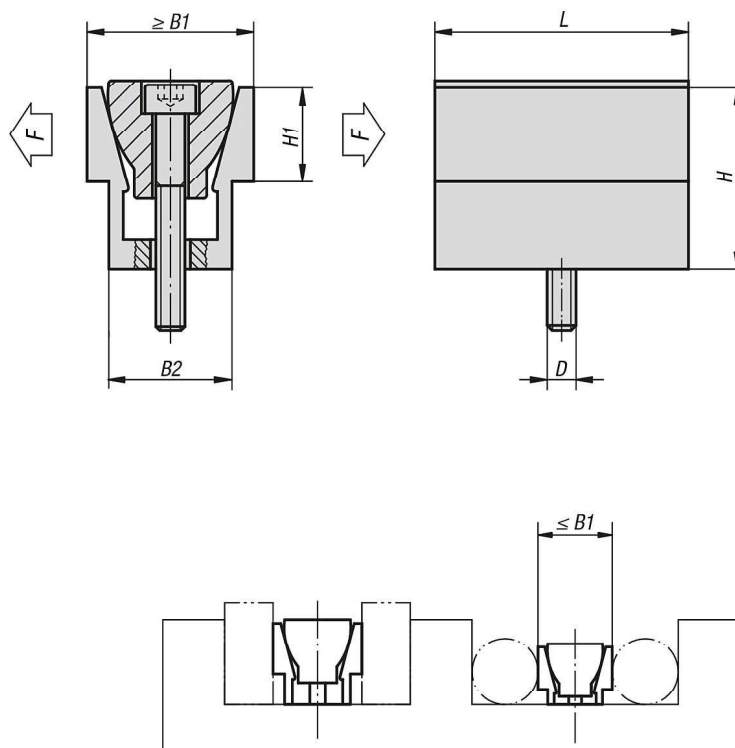
#### Note:

Two workpieces can be held simultaneously with the wedge clamp. They are ideal for clamping round or rectangular pieces. The compact design allows space-saving series clamping.

#### Drawing reference:

In clamped position dimension B1 max. given in the table should be achieved.

### Drawings



### Overview of items

#### Wedge clamps

| Order No. | D  | L    | B1<br>min. - max. | B2   | H    | H1  | Clamping<br>force<br>max. kN | Tightening<br>torque<br>max. Nm |
|-----------|----|------|-------------------|------|------|-----|------------------------------|---------------------------------|
| K0037.04  | M4 | 15,9 | 12,3 - 13,1       | 10,4 | 12,7 | 5,6 | 2,2                          | 3,4                             |
| K0037.06  | M6 | 23,8 | 18,6 - 19,9       | 16,1 | 19   | 9,5 | 6,7                          | 14,3                            |

## Wedge clamps

### Overview of items

| Order No. | D   | L    | B1<br>min. - max. | B2   | H    | H1   | Clamping<br>force<br>max. kN | Tightening<br>torque<br>max. Nm |
|-----------|-----|------|-------------------|------|------|------|------------------------------|---------------------------------|
| K0037.08  | M8  | 31,7 | 24,8 - 26,6       | 20,8 | 25,4 | 12,7 | 8,9                          | 14,5                            |
| K0037.12  | M12 | 47,6 | 37,3 - 39,7       | 30,8 | 38,1 | 19   | 15,6                         | 38,4                            |
| K0037.16  | M16 | 63,5 | 49,7 - 52,8       | 41,2 | 50,8 | 25,4 | 26,7                         | 74,6                            |