

## Pull handles with soft inner face

### Item description/product images



### Description

#### Material:

Hard components glass-bead reinforced thermoplastic.  
Soft components SEBS

#### Version:

Hard component matt black, soft component basalt grey.

#### Note:

Heavy-duty polyamide handle. Excellent carrying and gripping comfort thanks to its soft inner surface.

Black electro zinc-plated cap screws, nuts and washers are supplied.

For wet areas, the fastening material is supplied in stainless steel (1.4301).

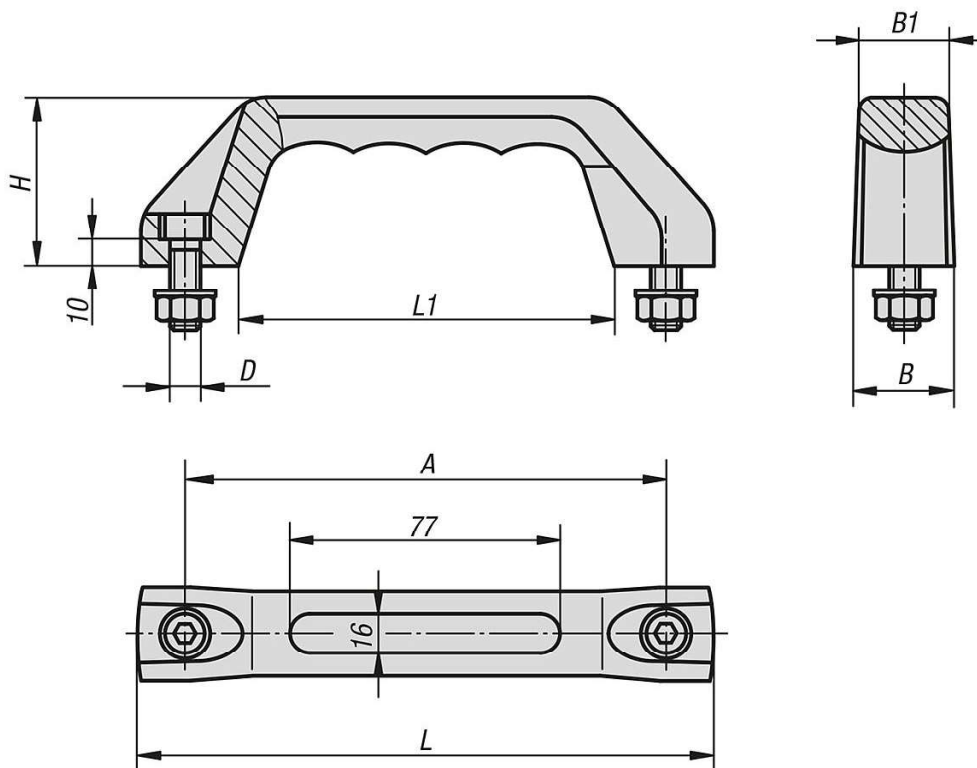
#### Assembly:

From the front.

#### On request:

With individual caption, embossed or raised on the soft material. Hard and soft components are available in all RAL colours.

### Drawings



### Overview of items

## Pull handles with soft inner face

### Overview of items

---

#### Pull handles with soft inner face

Order No.	Version 2	A	B	B1	D	L	L1	H	Load capacity N
K0171.515008	standard	150	29	25,5	M8x25	178	118	53	500
K0171.615008	wet area	150	29	25,5	M8x25	178	118	53	500