

## Pull handles

### Item description/product images



### Description

**Material:**

Glass-bead reinforced thermoplastic PA (polyamide) or fiberglass reinforced PP (polypropylene).

**Version:**

Black grey

**Note:**

The fastening hole is designed to accept the head of a cap or hexagon head screw or a hexagon nut.

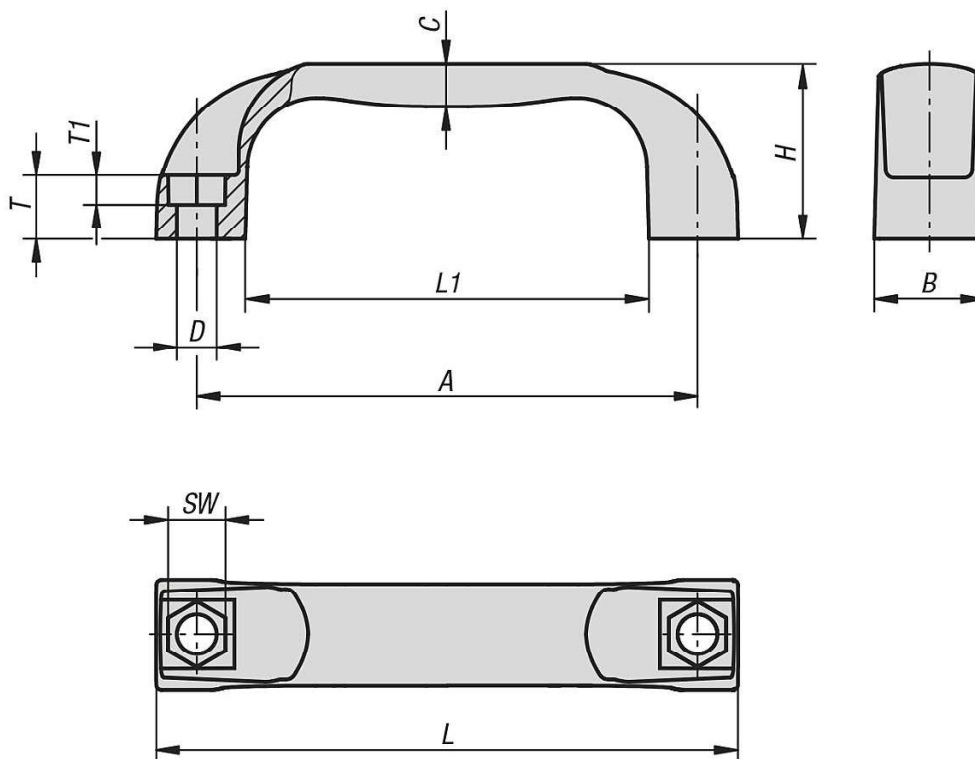
**Assembly:**

From the front or rear.

**On request:**

Other colours.

### Drawings



### Overview of items

### Pull handles

## Overview of items

Order No.	Main material	A	B	C	D	H	L	L1	SW	T	T1	Load capacity N
K0190.109406	polyamide	94	21	8	6,6	36	109	76	10	13	6	1000
K0190.111708	polyamide	117	26	10	9	41	136	94	13	15	8	1500
K0190.113208	polyamide	132	27	11	9	44	154	112	13	16	8	1500
K0190.115008	polyamide	150	27	11	9	44	172	132	13	16	8	1500
K0190.117908	polyamide	179	28	11	9	50	197	156	13	17	8	1500
K0190.209406	polypropylene	94	21	8	6,6	36	109	76	10	13	6	500
K0190.211708	polypropylene	117	26	10	9	41	136	94	13	15	8	800
K0190.213208	polypropylene	132	27	11	9	44	154	112	13	16	8	800
K0190.215008	polypropylene	150	27	11	9	44	172	132	13	16	8	800
K0190.217908	polypropylene	179	28	11	9	50	197	156	13	17	8	800