

Pull handles open-ended screw on

Item description/product images



Description

Material:

Glass-bead reinforced thermoplastic.
Fastening material 1.4301.

Version:

Matt black with fine texture.

Note:

These open-ended handles can be mounted right or left. They are form stable and have a high load rating.
Fastening bolts, nuts and washers are supplied as is a locking plate to prevent twisting.

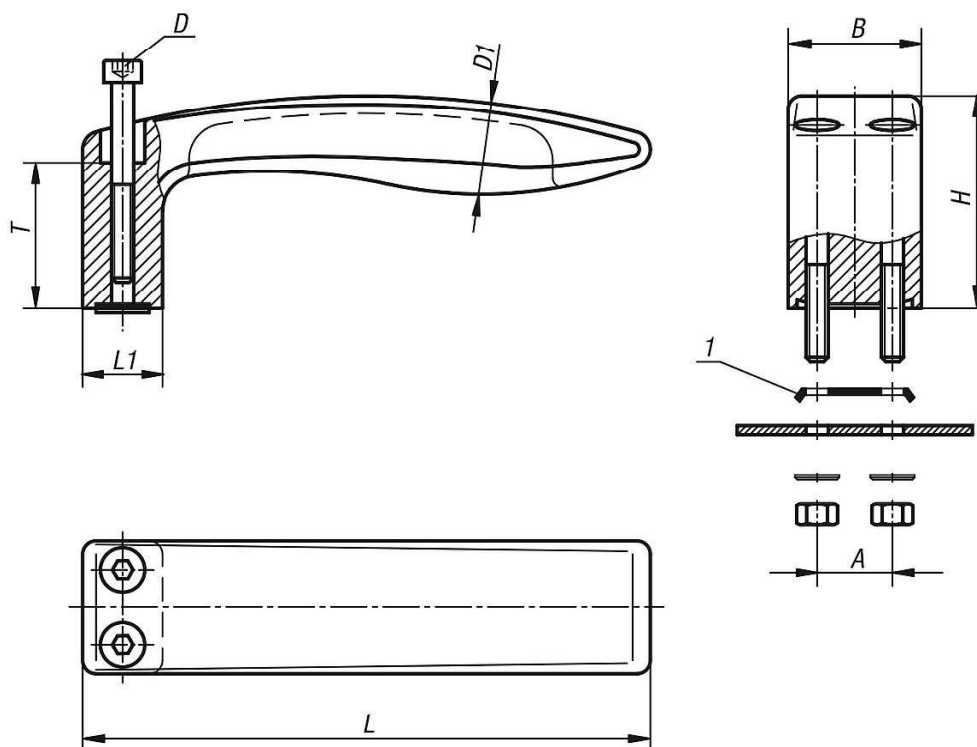
Assembly:

From the front.

Drawing reference:

1) locking plate

Drawings



Overview of items

Pull handles open-ended screw on

Pull handles open-ended screw on

Overview of items

Order No.	A	B	D	D1	H	L	L1	T	Load capacity N
K0237.12805	17	30	M5x45	20	48	128	18	33	800
K0237.15606	20	36	M6x55	24	58	156	22	40	1000