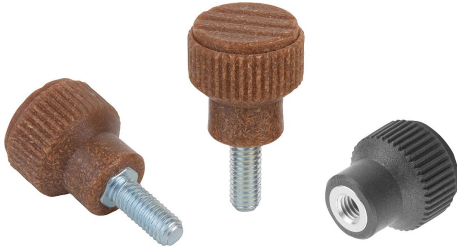


Knurled knobs biopolymer

Item description/product images



Description

Material:

Biopolymer, beech.
Bush or threaded pin steel 5.8

Version:

Steel blue passivated.
Natural beech with beech fibres or coloured black grey.

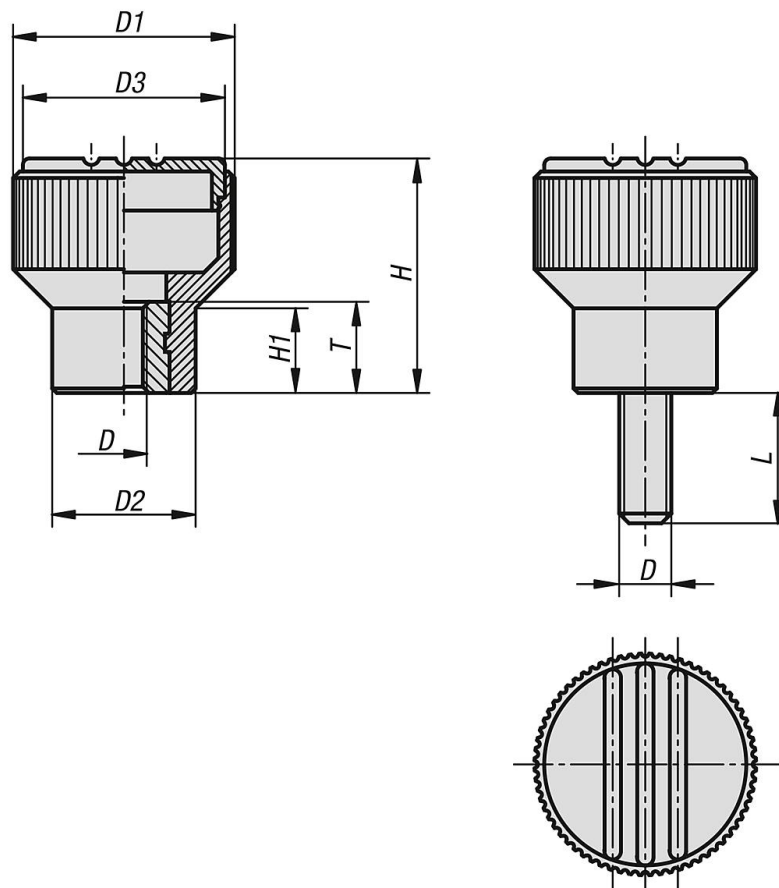
Advantages:

This biopolymer is manufactured entirely from renewable raw materials (oil free).
Conservation of finite fossil resources.
The wood fibres originate 100% from local, sustainably managed forests in Germany.

Features:

Excellent mechanical stability (certified with a minimum of 2x safety factor).
Biopolymer is suitable for recycling (comparable to thermoplastics).
Suitable for outdoor use (not biodegradable).
Excellent resistance to strong acids and lyes.
Short-term resistance to alcohol, fuel, mineral oil and grease.

Drawings



Knurled knobs biopolymer

Overview of items

Knurled knobs biopolymer internal thread

Order No.	Main colour	D	D1	D2	D3	H	H1	L	T
K0247.10104143	natural beech	M4	21	14	19	22	8	-	10
K0247.10105143	natural beech	M5	21	14	19	22	8	-	10
K0247.10106143	natural beech	M6	21	14	19	22	8	-	10
K0247.1010490	black grey RAL 7021	M4	21	14	19	22	8	-	10
K0247.1010590	black grey RAL 7021	M5	21	14	19	22	8	-	10
K0247.1010690	black grey RAL 7021	M6	21	14	19	22	8	-	10
K0247.10105143X10	natural beech	M5	21	14	19	22	8	10	-
K0247.10106143X15	natural beech	M6	21	14	19	22	8	15	-
K0247.1010590X10	black grey RAL 7021	M5	21	14	19	22	8	10	-
K0247.1010690X15	black grey RAL 7021	M6	21	14	19	22	8	15	-