

Crank handles with fold-down grip

Item description/product images



Description

Product description:

These crank handles have standard centre distances. They come with fold-down grips, are made from highly robust reinforced plastics and can be mounted on round or square shafts. They can be secured radially or axially.

Material:

Black grey thermoplastic.

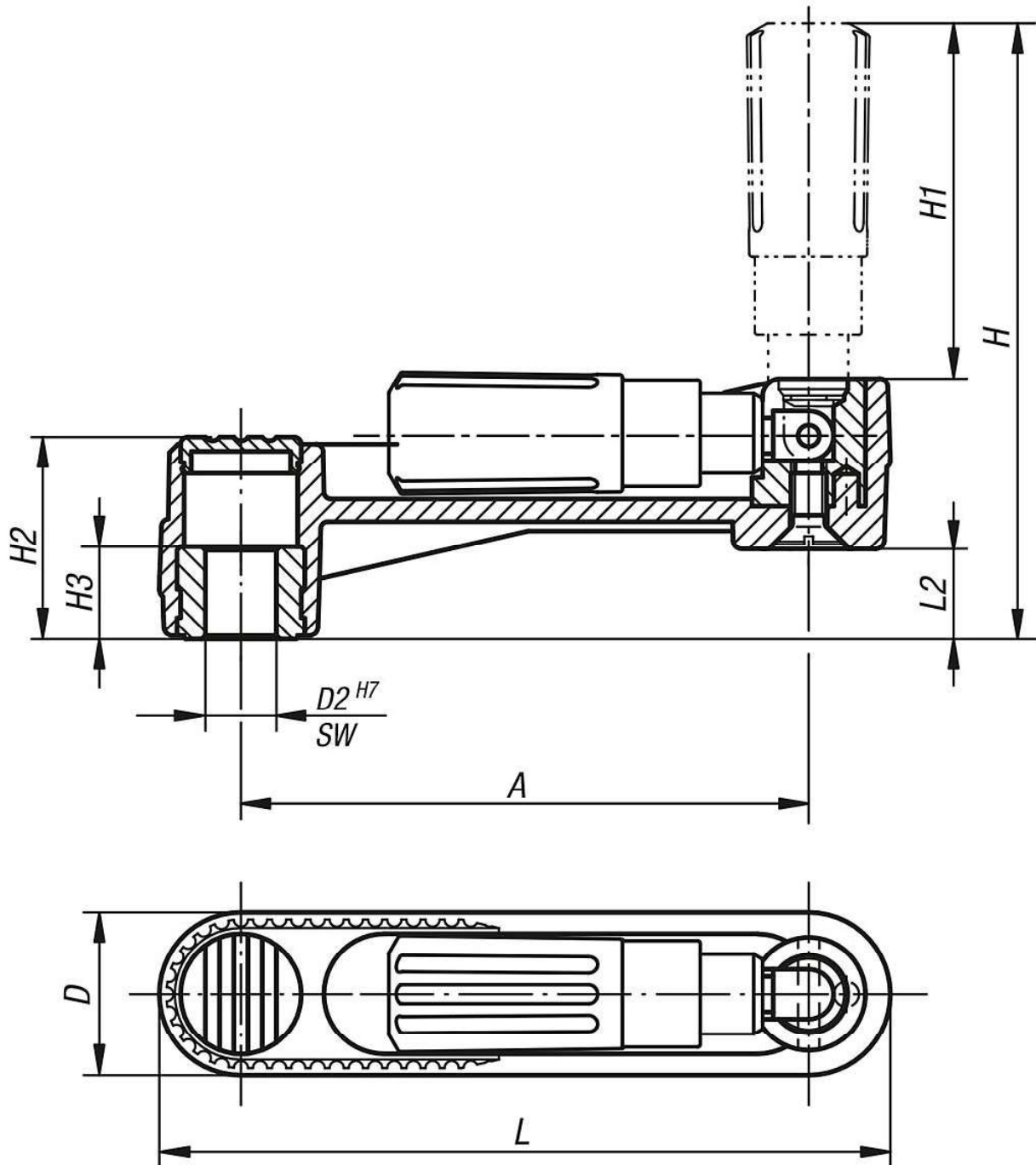
Version:

Steel parts black oxidised.

Note:

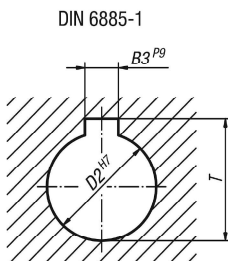
The hub cap is supplied loose.

The crank handle can be secured to a shaft using a transverse pin or by parallel key connection together with a DIN 6912 socket head screw and a DIN 7349 washer.



Crank handles with fold-down grip

Drawings



Overview of items

Crank handles with fold-down grip

Order No.	Version 1	A	D	D2	H	H1	H2	H3	L	L2
K0266.1108	reamed hole	80	24	8	85,5	49	29	13	104	13
K0266.1110	reamed hole	80	24	10	85,5	49	29	13	104	13
K0266.1210	reamed hole	100	29	10	105	59,5	36	13	129	16
K0266.1212	reamed hole	100	29	12	105	59,5	36	13	129	16
K0266.1312	reamed hole	125	36	12	140	83,5	44	18,5	161	19,5
K0266.1314	reamed hole	125	36	14	140	83,5	44	18,5	161	19,5

Order No.	Version 1	A	B3	D	D2	H	H1	H2	H3	L	L2	T
K0266.110802	reamed hole with slot	80	2	24	8	85,5	49	29	13	104	13	9
K0266.111003	reamed hole with slot	80	3	24	10	85,5	49	29	13	104	13	11,4
K0266.121003	reamed hole with slot	100	3	29	10	105	59,5	36	13	129	16	11,4
K0266.121204	reamed hole with slot	100	4	29	12	105	59,5	36	13	129	16	13,8
K0266.131204	reamed hole with slot	125	4	36	12	140	83,5	44	18,5	161	19,5	13,8
K0266.131405	reamed hole with slot	125	5	36	14	140	83,5	44	18,5	161	19,5	16,3

Order No.	Version 1	A	D	H	H1	H2	H3	L	L2	SW
K0266.2108	square socket	80	24	85,5	49	29	13	104	13	8
K0266.2110	square socket	80	24	85,5	49	29	13	104	13	10
K0266.2210	square socket	100	29	105	59,5	36	13	129	16	10
K0266.2212	square socket	100	29	105	59,5	36	13	129	16	12
K0266.2312	square socket	125	36	140	83,5	44	18,5	161	19,5	12
K0266.2314	square socket	125	36	140	83,5	44	18,5	161	19,5	14