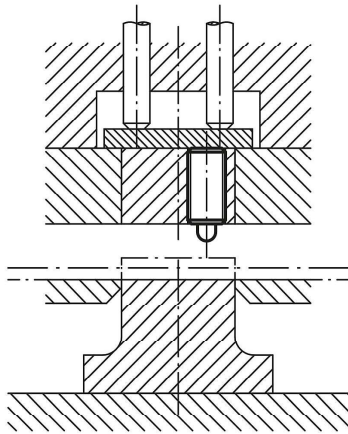


Spring plungers with hexagon socket and POM thrust pin, stainless steel

Item description/product images



application example



Description

Material:

Sleeve 1.4305.
Thrust pin POM.
Spring 1.4310.

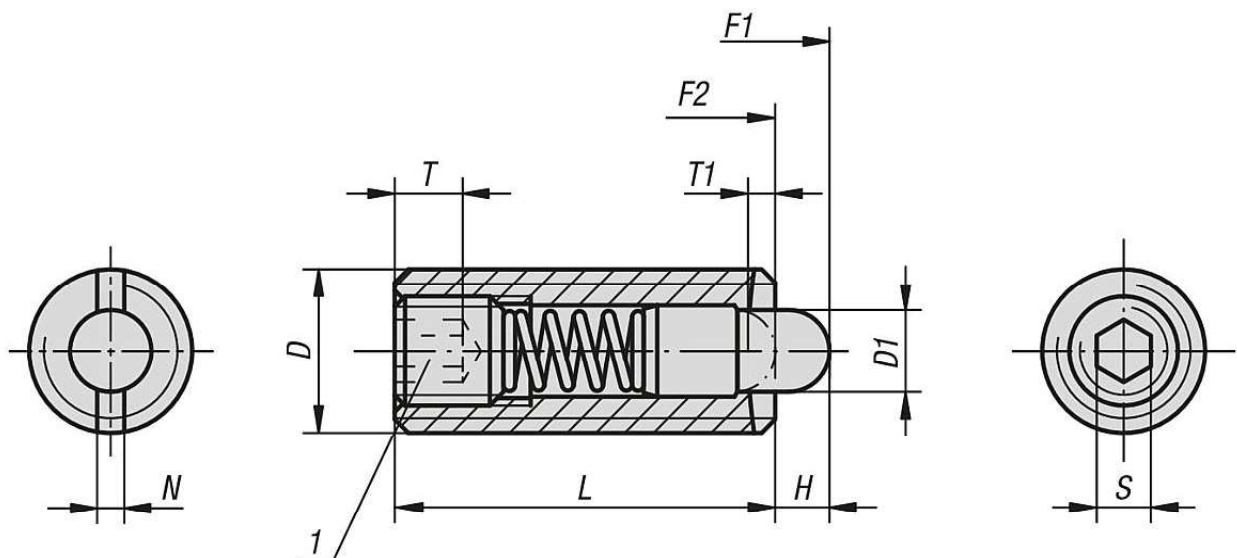
Version:

Bright.

Drawing reference:

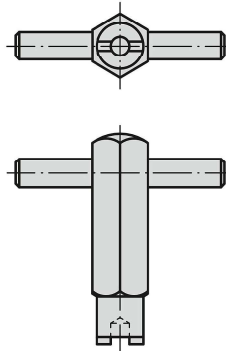
1) grub screw glued in

Drawings



Spring plungers with hexagon socket and POM thrust pin, stainless steel

Drawings



Overview of items

Spring plungers with hexagon socket and POM thrust pin, stainless steel

Order No.	D	D1	H	L	T	T1	N	S	Spring force initial pressure F1 approx. N	Spring force final pressure F2 approx. N	Order No. assembly key
K0320.03	M3	1	1,5	10	1,5	1	0,4	0,7	0,5	3	K0317.903
K0320.04	M4	1,5	1,5	15	2	0,6	0,6	1,3	5	16	K0317.904
K0320.05	M5	2,4	2,3	18	2	0,8	0,8	1,5	5	17	K0317.905
K0320.06	M6	2,7	2,5	20	2,5	1	1	2	6	17	K0317.906
K0320.08	M8	3,5	3	22	3	1,4	1,2	2,5	7	29	K0317.908
K0320.10	M10	4	3	22	3,5	1,4	1,6	3	8	31	K0317.910
K0320.12	M12	6	4	28	5	2	2	4	10	47	K0317.912
K0320.16	M16	7,5	5	32	6	2,5	2,5	5	38	85	K0317.916