

Spring plungers with hexagon socket and thrust pin, LONG-LOK secured, steel

Item description/product images



Description

Material:

Sleeve steel grade 5.8.
Thrust pin steel.
Spring grade D steel wire.

LONG-LOK thread lock nylon.

Version:

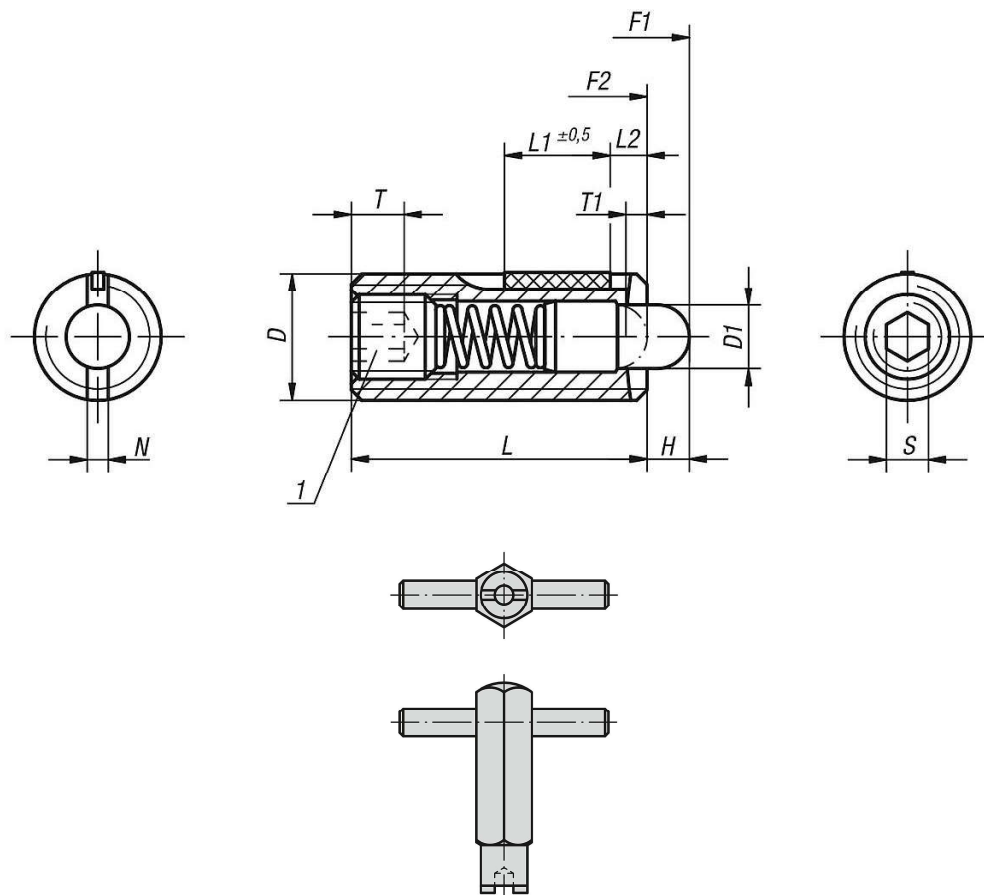
Black oxidised.
Thrust pin hardened.

Drawing reference:

L2 = ca. two full threads

1) grub screw glued-in

Drawings



Overview of items

Spring plungers with hexagon socket and thrust pin, LONG-LOK secured, steel

Overview of items

Spring plungers with hexagon socket and thrust pin, standard spring force, LONG-LOK secured

| Order No. | D | D1 | H | L | L1 | T | T1 | N | S | Spring force initial pressure F1 approx. N | Spring force final pressure F2 approx. N | Tightening torque approx. Nm | Loosening torque approx. Nm | Order No. assembly key |
|-----------|-----|-----|-----|----|----|-----|-----|-----|-----|---|---|------------------------------|-----------------------------|------------------------|
| K0327.05 | M5 | 2,4 | 2,3 | 18 | 7 | 2 | 0,8 | 0,8 | 1,5 | 6 | 20 | 0,12 | 0,08 | K0317.905 |
| K0327.06 | M6 | 2,7 | 2,5 | 20 | 7 | 2,5 | 1 | 1 | 2 | 7 | 20 | 0,45 | 0,22 | K0317.906 |
| K0327.08 | M8 | 3,5 | 3 | 22 | 8 | 3 | 1,4 | 1,2 | 2,5 | 9 | 35 | 1,05 | 0,37 | K0317.908 |
| K0327.10 | M10 | 4 | 3 | 22 | 9 | 3,5 | 1,4 | 1,6 | 3 | 9 | 35 | 1,3 | 0,6 | K0317.910 |
| K0327.12 | M12 | 6 | 4 | 28 | 10 | 5 | 2 | 2 | 4 | 12 | 55 | 2 | 1,3 | K0317.912 |
| K0327.16 | M16 | 7,5 | 5 | 32 | 14 | 6 | 2,5 | 2,5 | 5 | 45 | 100 | 3,9 | 3 | K0317.916 |

Spring plungers with hexagon socket and thrust pin, light spring force, LONG-LOK secured

| Order No. | D | D1 | H | L | L1 | T | T1 | N | S | Spring force initial pressure F1 approx. N | Spring force final pressure F2 approx. N | Tightening torque approx. Nm | Loosening torque approx. Nm | Order No. assembly key |
|-----------|-----|-----|-----|----|----|-----|-----|-----|-----|---|---|------------------------------|-----------------------------|------------------------|
| K0327.105 | M5 | 2,4 | 2,3 | 18 | 7 | 2 | 0,8 | 0,8 | 1,5 | 3 | 10 | 0,12 | 0,08 | K0317.905 |
| K0327.106 | M6 | 2,7 | 2,5 | 20 | 7 | 2,5 | 1 | 1 | 2 | 3 | 9 | 0,45 | 0,22 | K0317.906 |
| K0327.108 | M8 | 3,5 | 3 | 22 | 8 | 3 | 1,4 | 1,2 | 2,5 | 4 | 16 | 1,05 | 0,37 | K0317.908 |
| K0327.110 | M10 | 4 | 3 | 22 | 9 | 3,5 | 1,4 | 1,6 | 3 | 4 | 16 | 1,3 | 0,6 | K0317.910 |
| K0327.112 | M12 | 6 | 4 | 28 | 10 | 5 | 2 | 2 | 4 | 5 | 27 | 2 | 1,3 | K0317.912 |
| K0327.116 | M16 | 7,5 | 5 | 32 | 14 | 6 | 2,5 | 2,5 | 5 | 20 | 45 | 3,9 | 3 | K0317.916 |

Spring plungers with hexagon socket and thrust pin, reinforced spring force, LONG-LOK secured

| Order No. | D | D1 | H | L | L1 | T | T1 | N | S | Spring force initial pressure F1 approx. N | Spring force final pressure F2 approx. N | Tightening torque approx. Nm | Loosening torque approx. Nm | Order No. assembly key |
|-----------|-----|-----|-----|----|----|-----|-----|-----|-----|---|---|------------------------------|-----------------------------|------------------------|
| K0327.205 | M5 | 2,4 | 2,3 | 18 | 7 | 2 | 0,8 | 0,8 | 1,5 | 11 | 29 | 0,12 | 0,08 | K0317.905 |
| K0327.206 | M6 | 2,7 | 2,5 | 20 | 7 | 2,5 | 1 | 1 | 2 | 14 | 37 | 0,45 | 0,22 | K0317.906 |
| K0327.208 | M8 | 3,5 | 3 | 22 | 8 | 3 | 1,4 | 1,2 | 2,5 | 22 | 65 | 1,05 | 0,37 | K0317.908 |
| K0327.210 | M10 | 4 | 3 | 22 | 9 | 3,5 | 1,4 | 1,6 | 3 | 19 | 70 | 1,3 | 0,6 | K0317.910 |
| K0327.212 | M12 | 6 | 4 | 28 | 10 | 5 | 2 | 2 | 4 | 25 | 85 | 2 | 1,3 | K0317.912 |
| K0327.216 | M16 | 7,5 | 5 | 32 | 14 | 6 | 2,5 | 2,5 | 5 | 60 | 150 | 3,9 | 3 | K0317.916 |