

# Spring plungers with hexagon socket and POM thrust pin, LONG-LOK secured, stainless steel

Item description/product images



## Description

### Material:

Sleeve 1.4305.  
Thrust pin POM.  
Spring 1.4310 wire

LONG-LOK thread lock Nylon.

### Version:

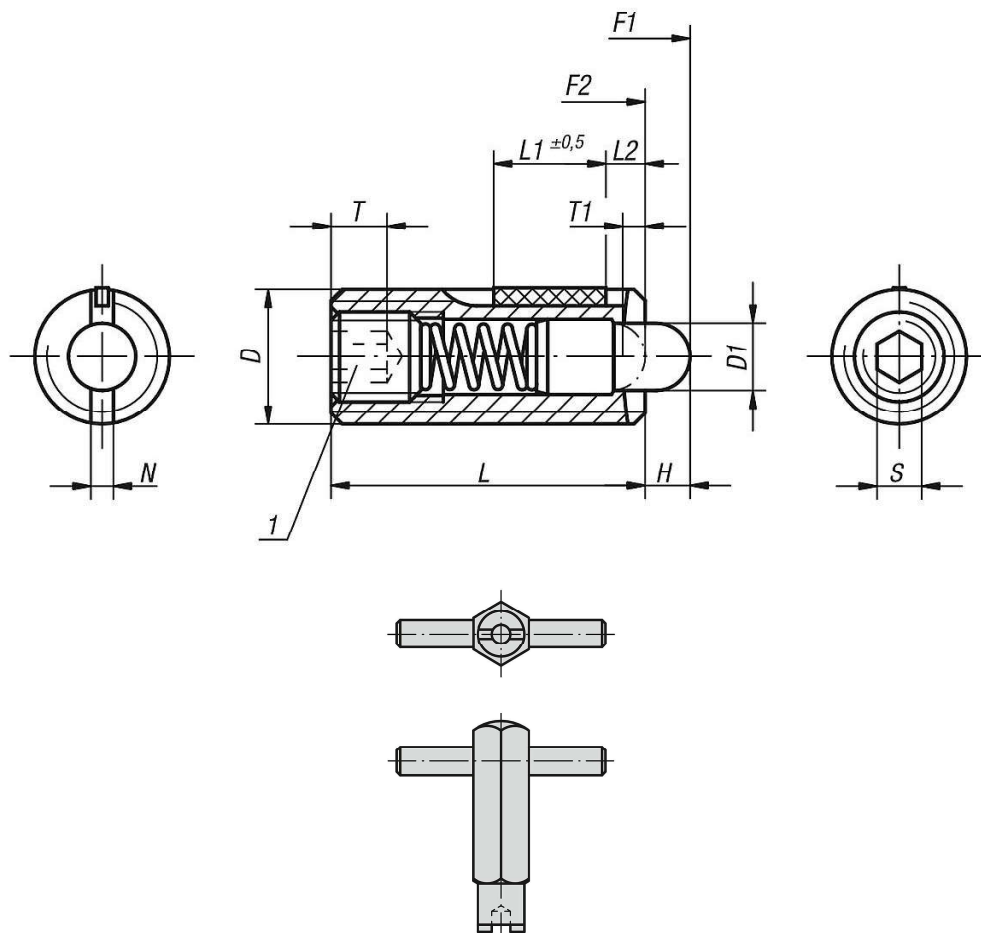
Bright.

### Drawing reference:

L2 = ca. two full threads

1) grub screw glued-in

## Drawings



## Overview of items

## Spring plungers with hexagon socket and POM thrust pin, LONG-LOK secured, stainless steel

Overview of items

### Spring plungers with hexagon socket and thrust pin, standard spring force, LONG-LOK secured

| Order No.       | D   | D1  | H   | L  | L1 | T   | T1  | N   | S   | Spring force<br>initial pressure<br>F1 approx. N | Spring force<br>final pressure<br>F2 approx. N | Tightening<br>torque<br>approx. Nm | Loosening torque<br>approx. Nm | Order No.<br>assembly key |
|-----------------|-----|-----|-----|----|----|-----|-----|-----|-----|--|--|------------------------------------|--------------------------------|---------------------------|
| <b>K0330.05</b> | M5  | 2,4 | 2,3 | 18 | 7  | 2   | 0,8 | 0,8 | 1,5 | 5  | 17   | 0,12                               | 0,08                           | K0317.905                 |
| <b>K0330.06</b> | M6  | 2,7 | 2,5 | 20 | 7  | 2,5 | 1   | 1   | 2   | 6  | 17   | 0,45                               | 0,22                           | K0317.906                 |
| <b>K0330.08</b> | M8  | 3,5 | 3   | 22 | 8  | 3   | 1,4 | 1,2 | 2,5 | 7  | 29   | 1,05                               | 0,37                           | K0317.908                 |
| <b>K0330.10</b> | M10 | 4   | 3   | 22 | 9  | 3,5 | 1,4 | 1,6 | 3   | 8  | 31   | 1,3                                | 0,6                            | K0317.910                 |
| <b>K0330.12</b> | M12 | 6   | 4   | 28 | 10 | 5   | 2   | 2   | 4   | 10   | 47   | 2                                  | 1,3                            | K0317.912                 |
| <b>K0330.16</b> | M16 | 7,5 | 5   | 32 | 14 | 6   | 2,5 | 2,5 | 5   | 38   | 85   | 3,9                                | 3                              | K0317.916                 |