

Indexing plungers - Precision with cylindrical pin

Item description/product images



Description

Material:
Steel.
Grip ball thermoplastic.

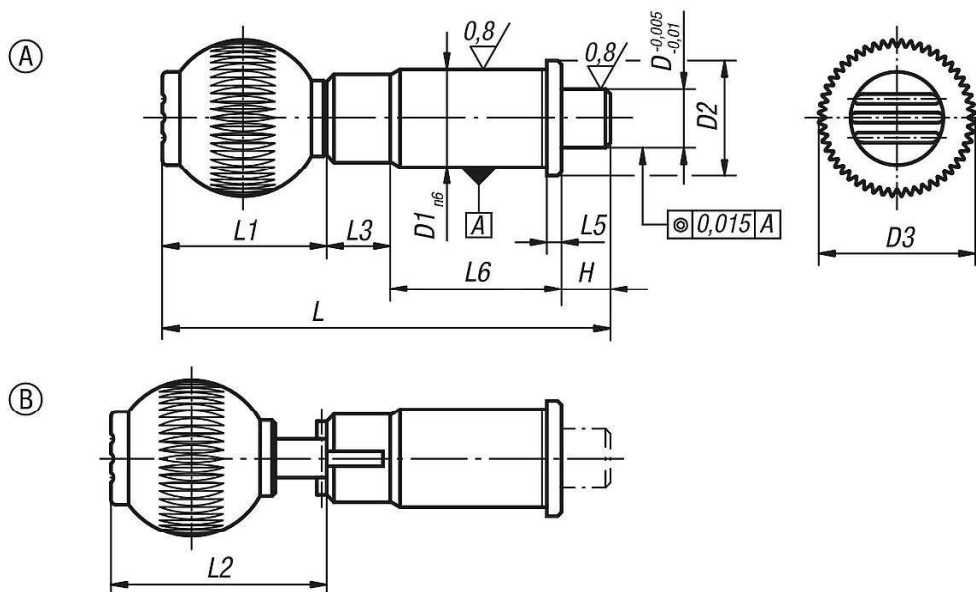
Version:
Hardened and ground.
Grip ball black grey.

Note:
The indexing plungers with bushes are a perfect combination for rapid positioning and fixing. The precise design of both the indexing plungers and the bush guarantees high repeating accuracy when assembling two elements.

Technical Information see assembly and installation instructions.

Drawing reference:
Form A: standard
Form B: lockable

Drawings



Overview of items

Precision indexing plungers with cylindrical pin

Order No. Form A	Order No. Form B	D	D1	D2	D3	H	L	L1	L2	L3	L5	L6	Spring force initial pressure F1 approx. N	Spring force final pressure F2 approx. N	Internal thread grip ball
K0361.010	K0361.110	10	16	19	25	10	79	25	-/36,5	13	2,5	31	15	30	M6
K0361.012	K0361.112	12	20	23	32	10	91	33	-/44,5	13	3	35	15	35	M8
K0361.016	K0361.116	16	25	28	40	10	106,5	41,5	-/53	13	3	42	20	50	M10
K0361.020	K0361.120	20	30	33	40	10	114,5	41,5	-/53	13	3	50	36	63	M10

Indexing plungers - Precision with cylindrical pin

Overview of items

Order No. Form A	Order No. Form B	D	D1	D2	D3	H	L	L1	L2	L3	L5	L6	Spring force initial pressure F1 approx. N	Spring force final pressure F2 approx. N	Internal thread grip ball
K0361.025	K0361.125	25	38	42	50	10	134	51	-/62,5	13	3	60	20	73	M10