

Swivel feet

Item description/product images



Description

Material:

Form A,G: Foot high carbon steel, ball element free-cutting steel.

Form B: All stainless steel

Form C: Foot POM, ball element free-cutting steel.

Form D: Foot POM, ball element stainless steel.

Anti-slip plate thermoplastic elastomer.

Version:

Form A: Ball element case-hardened and black oxidised.

Form B: Bright.

Form C: Ball element case-hardened and black oxidised.

Form D: Ball element bright.

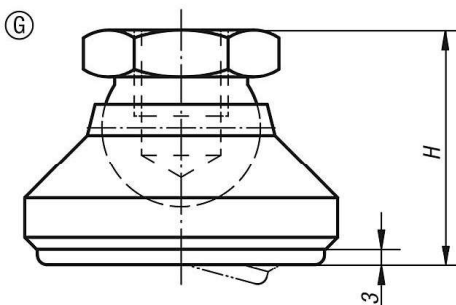
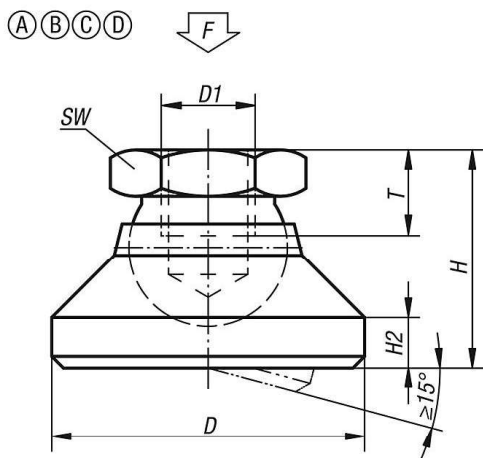
Form G: Ball element case hardened and black oxidised, foot with anti-slip plate.

Note:

The anti-slip plate absorbs vibrations and prevents the swivel foot slipping

The loading indicated in the table is a recommendation up to which permanent static load the swivel foot can be used.

Drawings



Overview of items

Swivel feet

Order No. Form A	Order No. Form B	D	D1	H	H2	T	SW	Load rating max. kN
K0395.106	K0395.306	20	M6	15	2,5	8,5	10	10
K0395.108	K0395.308	25	M8	18	4	9	13	18
K0395.110	K0395.310	32	M10	22	5	10	17	20
K0395.112	K0395.312	40	M12	26	6	12	19	35
K0395.116	K0395.316	50	M16	32	7	14	24	45
K0395.120	K0395.320	60	M20	42	8	18	30	55

Order No. Form C	Order No. Form D	D	D1	H	H2	T	SW	Load rating max. kN
K0395.506	K0395.206	20	M6	15	2,5	8,5	10	4
K0395.508	K0395.208	25	M8	18	4	9	13	7
K0395.510	K0395.210	32	M10	22	5	10	17	10
K0395.512	K0395.212	40	M12	26	6	12	19	18
K0395.516	K0395.216	50	M16	32	7	14	24	20
K0395.520	K0395.220	60	M20	42	8	18	30	22

Order No. Form G	D	D1	H	H2	T	SW	Load rating max. kN (static load only)
K0395.410	32	M10	25	5	10	17	12
K0395.412	40	M12	29	6	12	19	17
K0395.416	50	M16	35	7	14	24	20
K0395.420	60	M20	45	8	18	30	24