

Hinges plastic, with elongated holes

Item description/product images



Description

Material:

Fibreglass reinforced thermoplastic.
Hinge pin stainless steel.

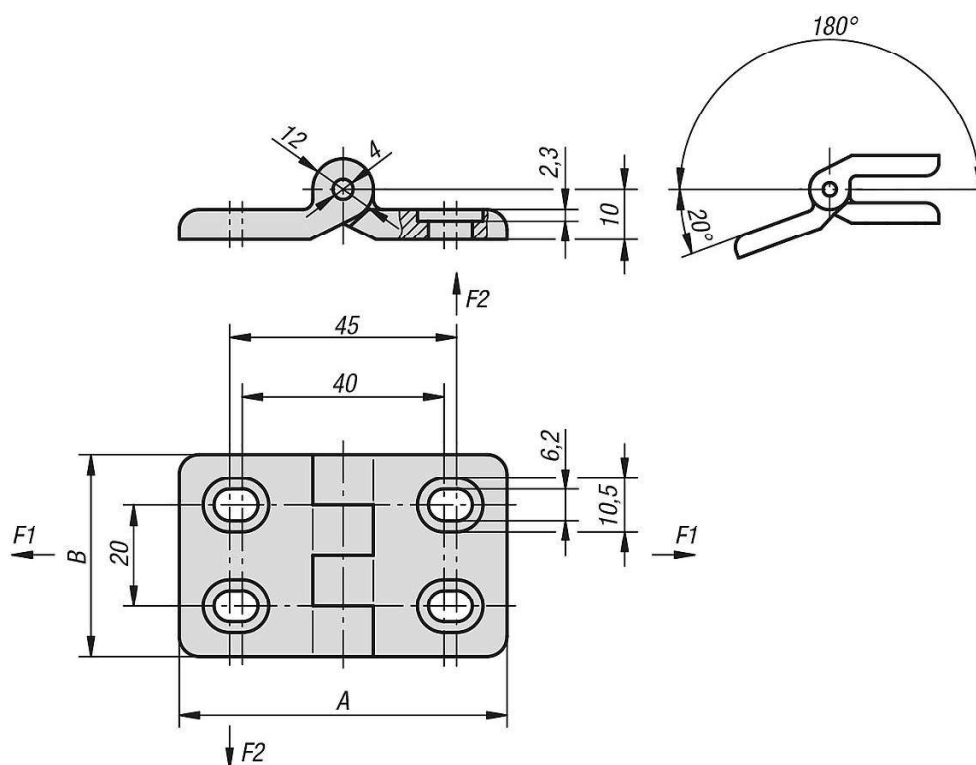
Version:

Hinge black. Pin bright.

Note:

Elongated holes enable easy horizontal adjustment.

Drawings



Overview of items

Hinge plastic, with elongated holes

| Order No. | A | B | F1 max. kN | F2 max. kN |
|--------------|----|----|---------------|---------------|
| K0437.402020 | 65 | 40 | 0,5 | 0,3 |

