

Oil level gauges

Item description/product images



Description

Material:

Housing thermoplastic polyamide.
O-ring and flat seal rubber (NBR).
Reflector aluminium.
Screw and hex nut steel.

Version:

Transparent housing, high mechanical stability, non-ageing, temperature resistant up to 100 °C.

Pressure resistant at 20 °C up to 10 bar, at 60 °C up to 8 bar.

Reflector painted white, line marks and scale black.

Screw and hexagon nut, electro zinc-plated.

Note:

The oil level gauges can either be fastened as shown in the illustration or screwed directly into a tapped hole. Centre distance for the fastening holes = $L1 \pm 0.3$.

The max. tightening torque for the fastening screws is 5 Nm.

Drawing reference:

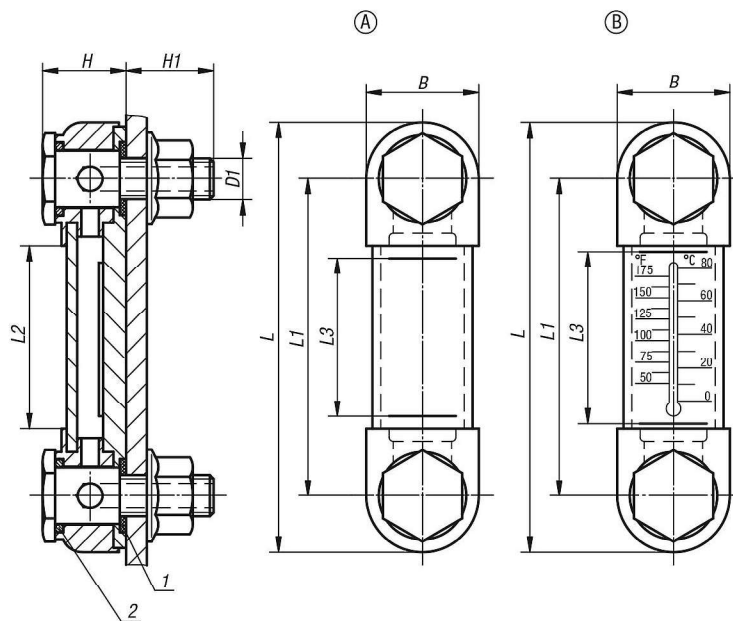
Form A: without thermometer

Form B: with thermometer

1) flat seal

2) O-ring

Drawings



Overview of items

