

## Press-in plugs

### Item description/product images



### Description

#### Material:

Housing and cap thermoplastic polyamide 66.  
Air filter polyurethane (PU foam).  
O-ring rubber (NBR).

#### Version:

Housing black.  
Cap red.  
Filter mesh 50  $\mu\text{m}$ .

#### Temperature range:

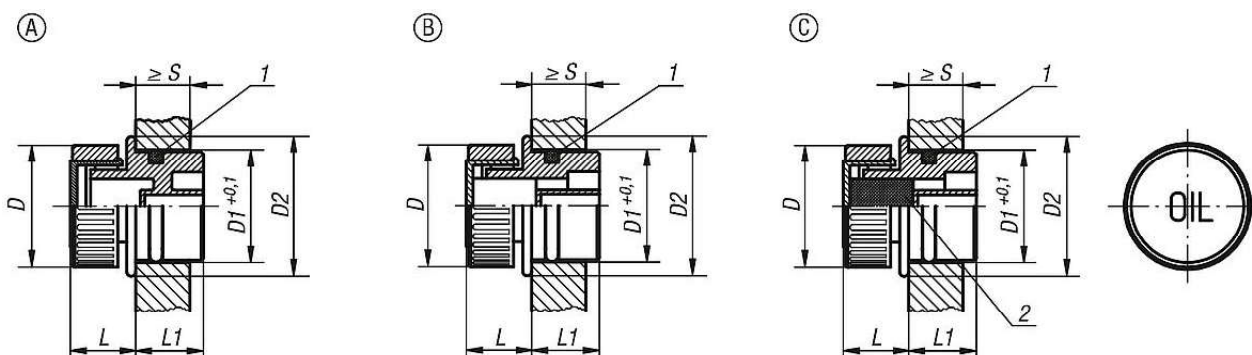
Temperature resistant with oil up to 100°C.

#### Drawing reference:

Form A: without vent  
Form B: with vent  
Form C: with vent and air filter

- 1) O-ring
- 2) air filter Form C only

### Drawings



### Overview of items