

## Vent screws

### Item description/product images



### Description

#### Material:

Housing, cap in thermoplastic polyamide 66.  
Air filter (Form B only) in polyurethane (PU foam).  
O-ring in rubber (NBR).

#### Version:

Black housing. Red cap. Filter mesh 60  $\mu\text{m}$ .

#### Note:

The removable cap allows easy cleaning of the air filter.

Form A: without air filter

Form B: with air filter

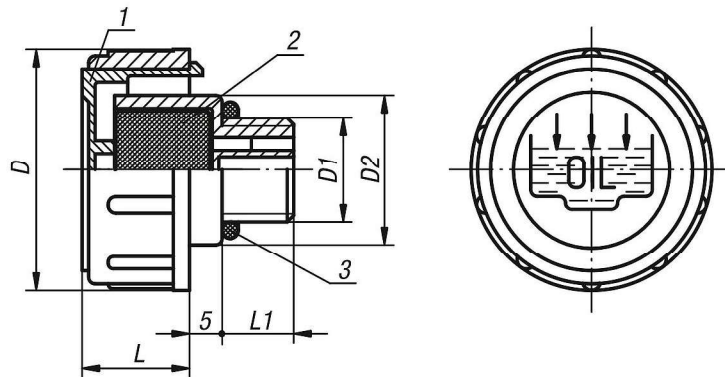
#### Temperature range:

Temperature resistant with oil up to 100°C.

#### Drawing reference:

- 1) cap
- 2) air filter Form B only
- 3) O-ring

### Drawings



### Overview of items