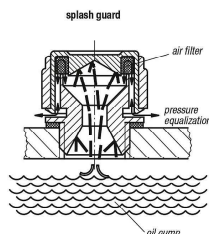


Vent screws with splash guard

Item description/product images



Gears partly immersed in an oil sump create an oil spray that may cause oil to leak from the vent cap. To avoid this the screw has been fitted with a splash guard. Only a small part of the oil spray can pass through the lower tapered bore. The oil that does reach the cap underside is redirected in such a way that it does not notably hinder the venting process.

Description

Material:

Housing and cap thermoplastic polyamide 66.
Air filter polyurethane (PU foam).
Flat seal NBR, Shore 70.

Version:

Black housing.
Red cap.
Filter mesh 40 µm.

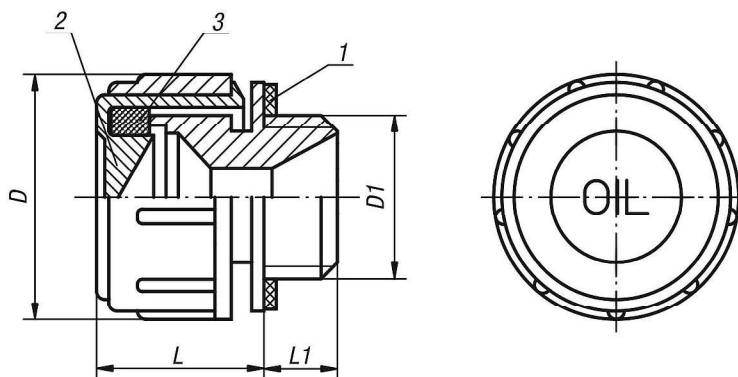
Temperature range:

Temperature resistant with oil up to 100°C.

Drawing reference:

- 1) flat seal
- 2) cap
- 3) air filter

Drawings



Overview of items

Vent screws with splash guard

Order No.	D	D1	L	L1
K0458.30014	30	G1/4	21	10
K0458.30038	30	G3/8	21	10
K0458.30012	30	G1/2	21	10