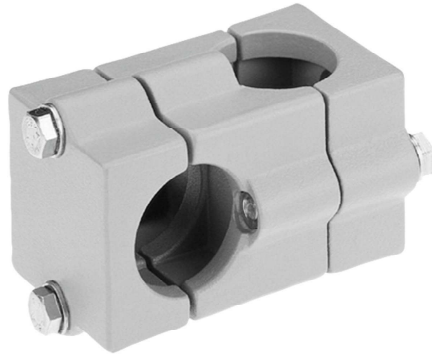


## Tube clamps cross aluminium

### Item description/product images



### Description

**Material:**

Cast aluminium.  
Screws and nuts steel.

**Version:**

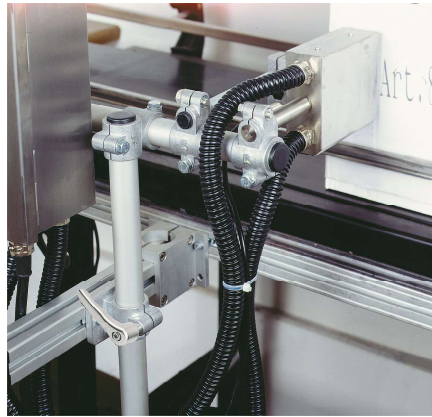
Vibratory ground.  
Screws and nuts electro zinc-plated.

**On request:**

Levers for locking and other diameters.

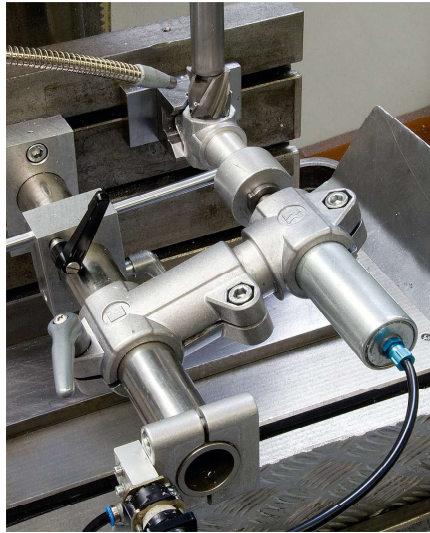
**Accessory:**

- Round and square tubes K0493

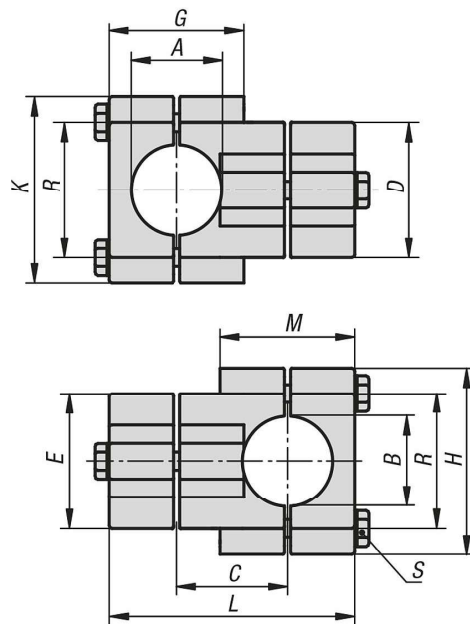


# Tube clamps cross aluminium

## Item description/product images



## Drawings



## Overview of items

### Tube clamps cross, aluminium

Order No.	A	B	C	D	E	G	H	K	L	M	R	S
K0472.523030	30,2	30,2	38	45	45	44	64	64	83	44	46	M8x45
K0472.524040	40,2	40,2	50	60	60	61	75	75	111	61	57	M8x60

