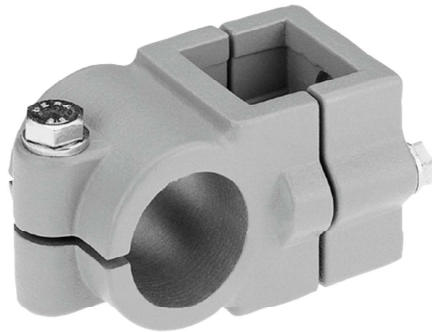


Tube clamps cross aluminium

Item description/product images



Description

Material:

Cast aluminium.
Screws and nuts steel.

Version:

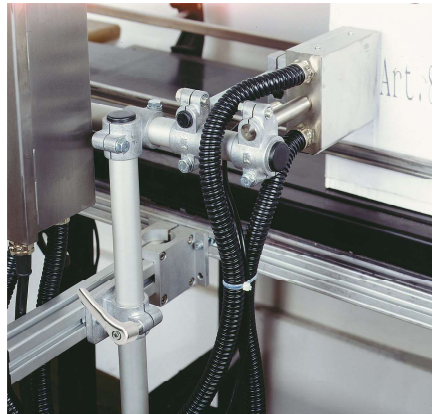
Vibratory ground.
Screws and nuts electro zinc-plated.

On request:

Clamping levers for fastening and other diameters.

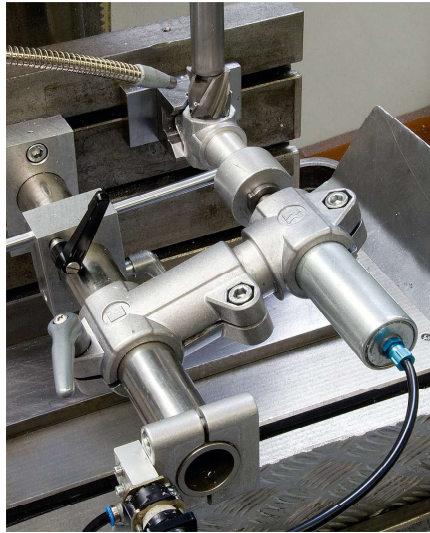
Accessory:

- Round and square tubes K0493

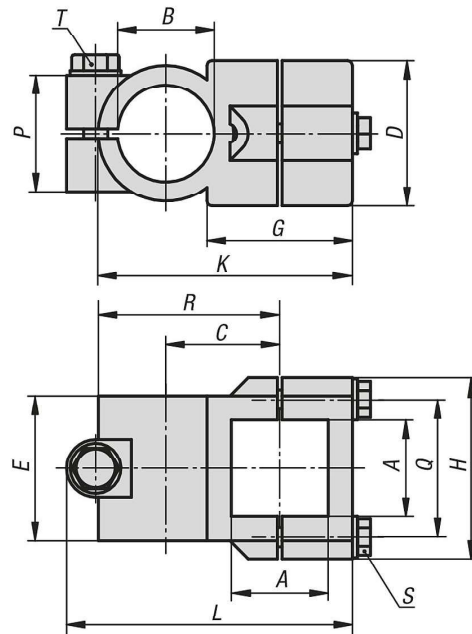


Tube clamps cross aluminium

Item description/product images



Drawings



Overview of items

Tube clamps cross, aluminium

| Order No. | A | B | C | D | E | G | H | K | L | P | Q | R | S | T |
|--------------------|------|------|----|----|----|----|----|-----|-----|----|----|----|-------|--------|
| K0474.53030 | 30,2 | 30,1 | 33 | 45 | 45 | 40 | 62 | 76 | 86 | 33 | 46 | 55 | M8x35 | M8x35 |
| K0474.54040 | 40,3 | 40,2 | 47 | 60 | 60 | 60 | 75 | 105 | 117 | 48 | 57 | 75 | M8x45 | M10x50 |

