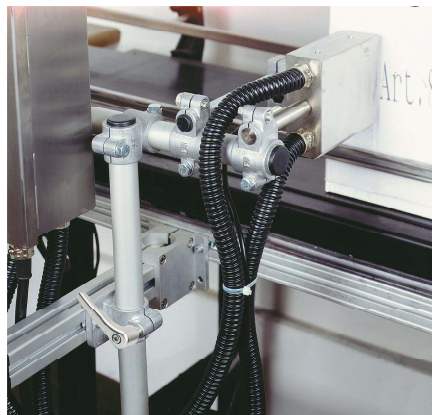
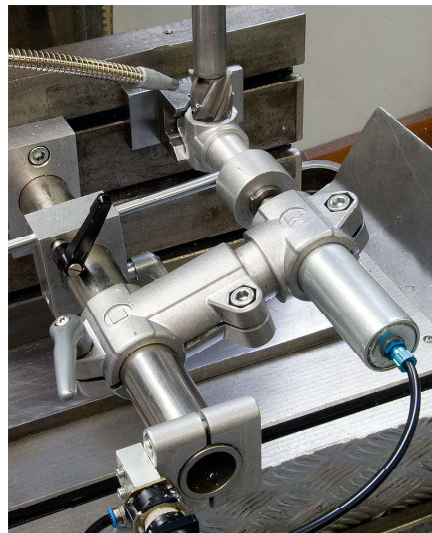


## Tube clamps T-angle plastic

### Item description/product images



### Description

#### Material:

Thermoplastic.

DIN 7984 screws and DIN 985 nuts steel.

#### Version:

Black.

Screws and nuts electro zinc-plated.

#### Note:

The standard size for round tubes is  $\varnothing 18$  mm or  $\varnothing 30$  mm. Use reducer sleeves K0492 if smaller tubes are to be clamped or a conversion from round to square tubes is required.

#### On request:

Plastic levers for locking.

#### Accessory:

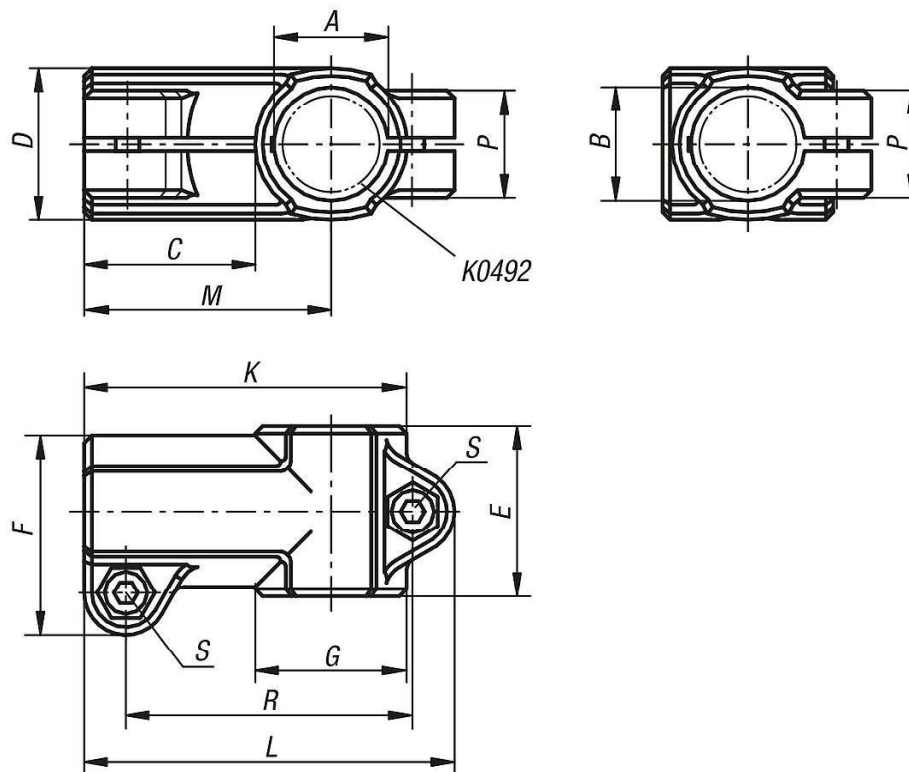
- Reducer sleeves K0492
- Round and square tubes K0493

**Tube clamps T-angle plastic**

Item description/product images



**Drawings**



**Overview of items**

**Tube clamps T-angle, plastic**

Order No.	A	B	C	D	E	F	G	K	L	M	P	R	S
<b>K0475.1818</b>	18	18	30,5	25	30	34	25	55,5	64,5	43	21	49,5	M6x18
<b>K0475.3030</b>	30	30	45	40	45	52,5	40	85	97,5	65	28,5	75,5	M8x25

