

## Tube clamps T-angle plastic

### Item description/product images



### Description

**Material:**

Thermoplastic.

DIN 7984 screws and DIN 985 nuts steel.

**Version:**

Black.

Screws and nuts electro zinc-plated.

**Note:**

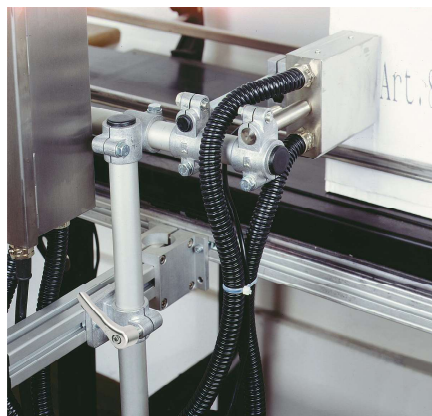
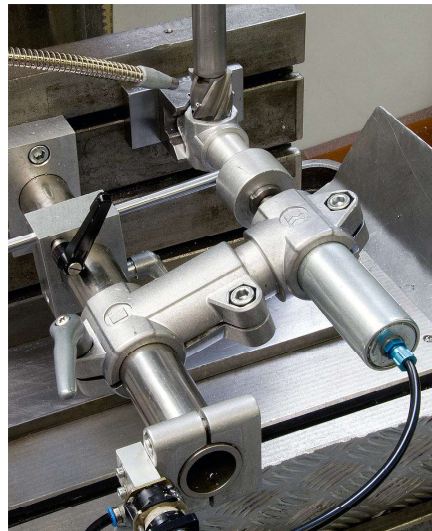
These T-clamps are for 30 mm square tubes. Use reducer sleeves K0491 if smaller tubes are to be clamped or a conversion from square to round tubes is required.

**On request:**

Plastic levers for locking.

**Accessory:**

- Reducer sleeves K0491
- Round and square tubes K0493

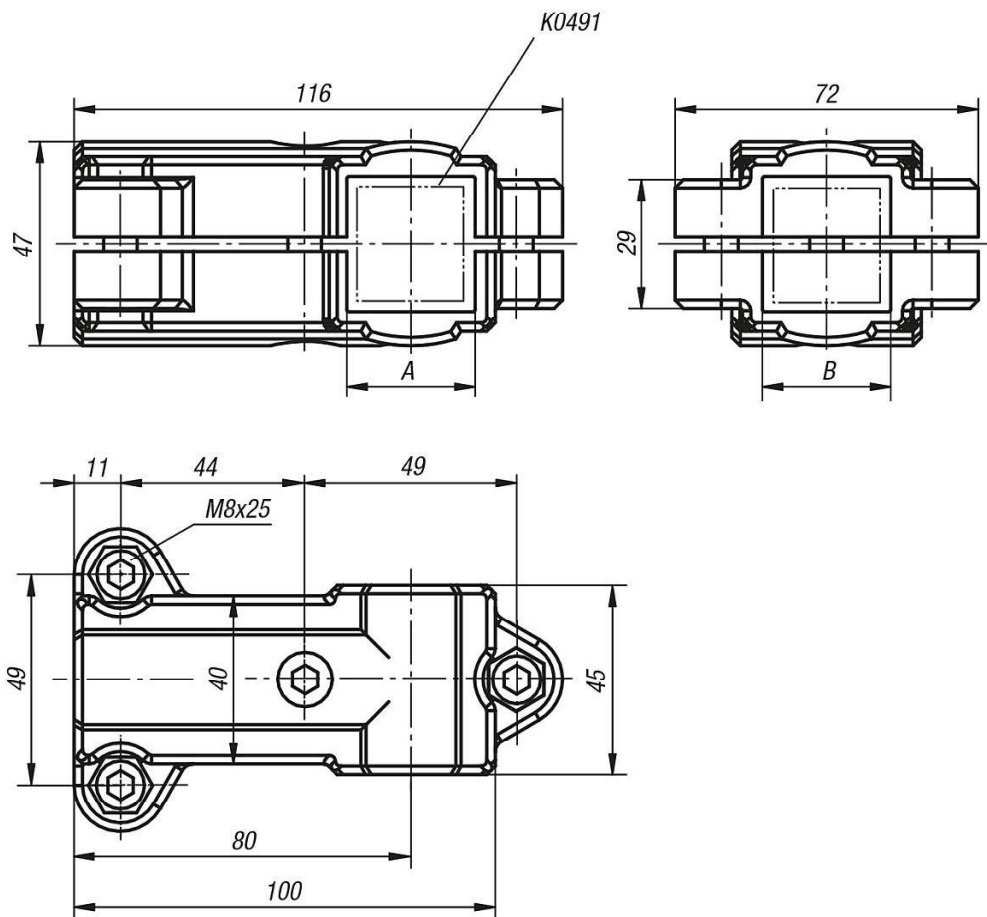


**Tube clamps T-angle plastic**

Item description/product images



Drawings



Overview of items

**Tube clamps T-angle plastic****Overview of items**

---

**Tube clamps T-angle, plastic**

Order No.	A	B
K0476.3030	30	30