

Tube clamps base stainless steel

Item description/product images



Description

Material:

Investment cast 1.4308 stainless steel.

ISO 4762 cap screw and ISO 4032 hex nut, stainless steel.

From $\varnothing 30$ mm ISO 4017 hex head bolt, stainless steel.

Version:

Electropolished.

Note:

The tube clamps with diameters 30 and 40 mm have a silicone sleeve that protects the thread of the hex head screw from contamination and damage.

On request:

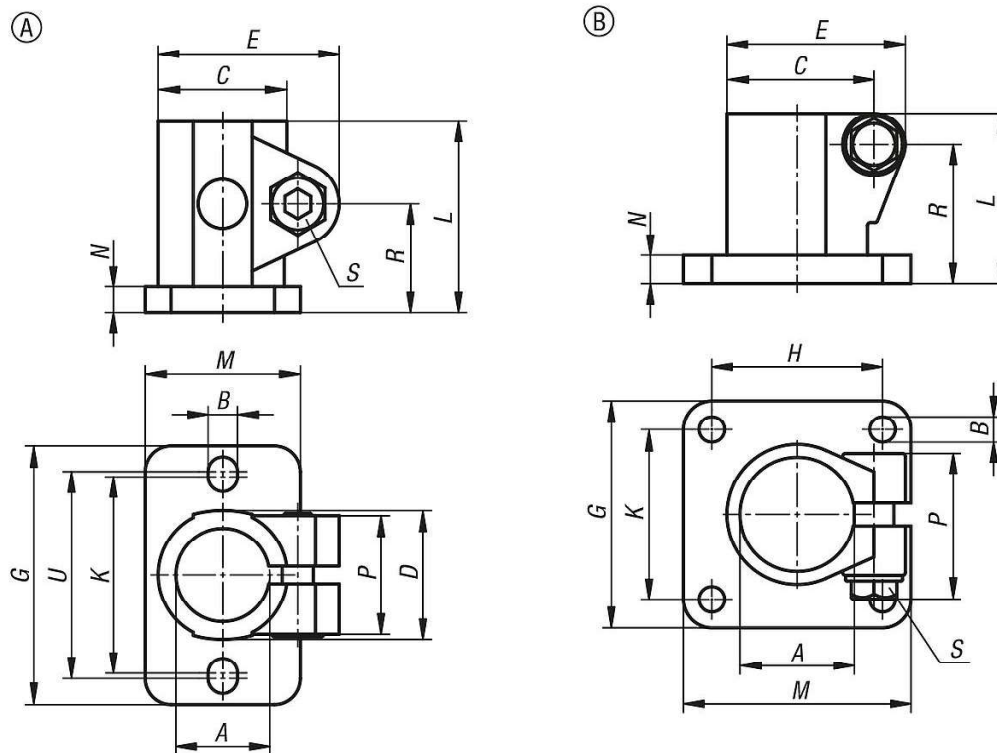
Clamping levers for tightening.

Accessory:

- Round and square tubes K0493

Tube clamps base stainless steel

Drawings



Overview of items

Tube clamps base, stainless steel

Order No.	Form	A	B	C	D	E	G	H	K	L	M	N	P	R	S	U
K0477.112	A	12,1	5,7	27	25	35	50	-	38	37	30	5	23	21	M6x18	40
K0477.114	A	14,1	5,7	27	25	35	50	-	38	37	30	5	23	21	M6x18	40
K0477.116	A	16,1	5,7	27	25	35	50	-	38	37	30	5	23	21	M6x18	40
K0477.118	A	18,1	5,7	27	25	35	50	-	38	37	30	5	23	21	M6x18	40
K0477.120	A	20,1	5,7	27	25	35	50	-	38	37	30	5	23	21	M6x18	40
K0477.130	B	30,1	7	39	37,4	48	60	40	40	50	60	7	45,5	41	M8x30	-
K0477.140	B	40,17	9	51,7	49,4	63	80	60	60	60	80	10	52	48,7	M10x35	-