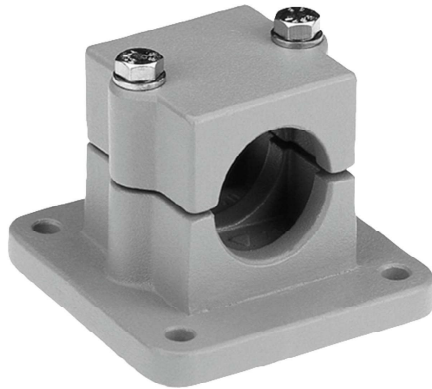


## Tube clamps flange aluminium

### Item description/product images



### Description

**Material:**

Cast aluminium.  
Screws and nuts steel.

**Version:**

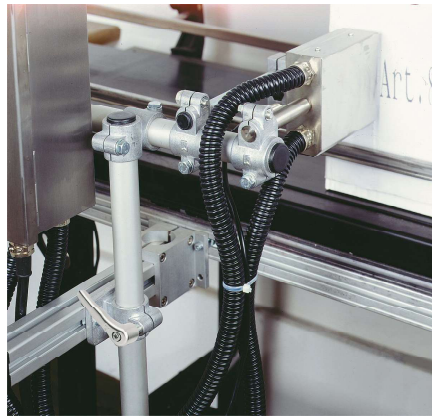
Vibratory ground.  
Screws and nuts electro zinc-plated.

**On request:**

Levers for locking and other diameters.

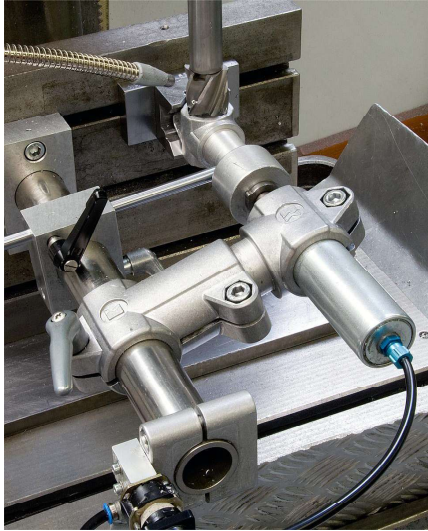
**Accessory:**

- Round and square tubes K0493

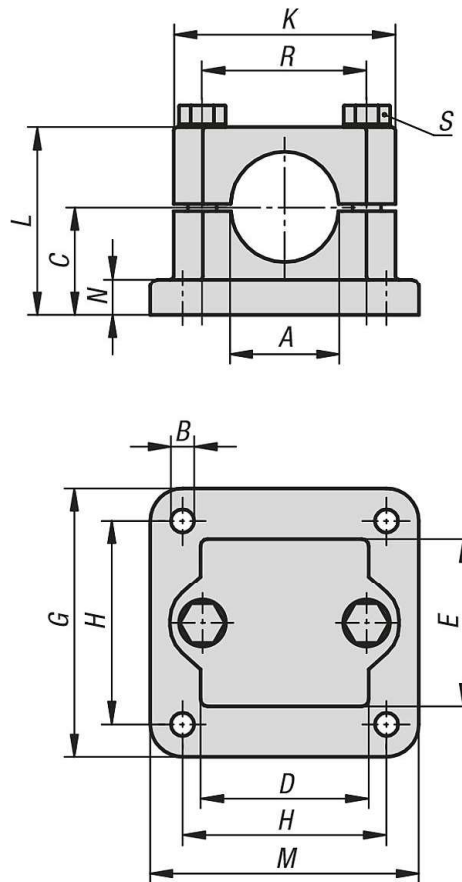


## Tube clamps flange aluminium

### Item description/product images



### Drawings



### Overview of items

## Tube clamps flange aluminium

### Overview of items

#### Tube clamps, flange, aluminium

Order No.	A	B	C	D	E	G	H	K	L	M	N	R	S
K0479.5220	20,2	7	30	45	45	75	57	62	52,5	75	10	46	M8x50
K0479.5225	25,2	7	30	45	45	75	57	62	52,5	75	10	46	M8x50
K0479.5230	30,2	7	30	45	45	75	57	62	52,5	75	10	46	M8x50
K0479.5240	40,2	9	40	60	60	100	76	75	70	100	10	57	M8x70