

Compression latches with variable compression

Item description/product images



Description

Note:

Compression latches are primarily used for doors and housings that require a high pressure on the seal. Right or left deployment. The locking direction is always clockwise.

Assembly:

Cut a notch in a Ø25 mm hole for the locking pin. Pass the latch through the hole. The tongue must be in the end position and in the centre of the opening before the nut can be slipped on and tightened.

On request:

Water tight version according to IP 65.

Function:

Turning the actuator 90° brings the tongue into the closed position. Turning the actuator further winds the tongue up the thread and increases the pressure on the frame. To unlock the latch turn the actuator to the left. The tongue moves to the open position and, even doors with sticky seals can be easily opened. The variable compression gap is 7 mm. The frame width range of 9-44 mm is covered by 7 offset tongues (dimension A).

Supplied completely assembled.

Accessory:

Key K0535

Drawing reference:

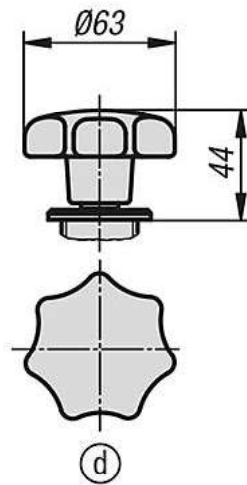
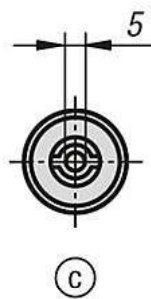
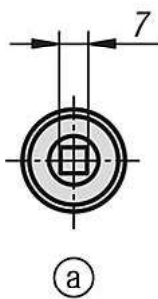
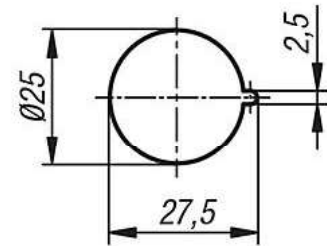
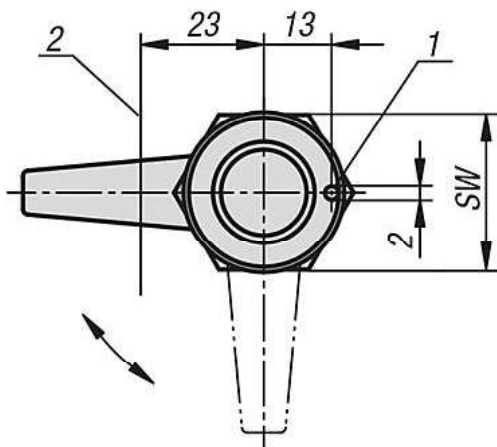
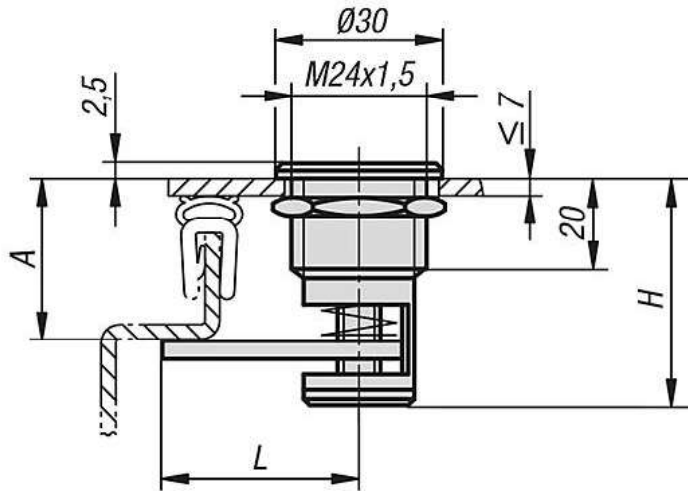
- 1) locating pin
- 2) frame

Actuation

- a) square 7 mm
- b) double lug 3 mm
- c) double lug 5 mm
- d) star grip

Compression latches with variable compression

Drawings



Compression latches with variable compression

Overview of items

Compression latches with variable compression

Order No.	Actuation	A	L	H	SW
K0528.1709161	square 7 mm	9-16	40,5	40	27
K0528.1713201	square 7 mm	13 - 20	42,5	40	27
K0528.1717241	square 7 mm	17 - 24	44	40	27
K0528.1723301	square 7 mm	23 - 30	45	40	27
K0528.1729361	square 7 mm	29 - 36	43	40	27
K0528.1733401	square 7 mm	33 - 40	40,5	40	27
K0528.1737441	square 7 mm	37 - 44	37	40	27
K0528.4309161	double lug 3 mm	9-16	40,5	40	27
K0528.4313201	double lug 3 mm	13 - 20	42,5	40	27
K0528.4317241	double lug 3 mm	17 - 24	44	40	27
K0528.4323301	double lug 3 mm	23 - 30	45	40	27
K0528.4329361	double lug 3 mm	29 - 36	43	40	27
K0528.4333401	double lug 3 mm	33 - 40	40,5	40	27
K0528.4337441	double lug 3 mm	37 - 44	37	40	27
K0528.4509161	double lug 5 mm	9-16	40,5	40	27
K0528.4513201	double lug 5 mm	13 - 20	42,5	40	27
K0528.4517241	double lug 5 mm	17 - 24	44	40	27
K0528.4523301	double lug 5 mm	23 - 30	45	40	27
K0528.4529361	double lug 5 mm	29 - 36	43	40	27
K0528.4533401	double lug 5 mm	33 - 40	40,5	40	27
K0528.4537441	double lug 5 mm	37 - 44	37	40	27
K0528.5009161	star grip	9-16	40,5	40	27
K0528.5013201	star grip	13 - 20	42,5	40	27
K0528.5017241	star grip	17 - 24	44	40	27
K0528.5023301	star grip	23 - 30	45	40	27
K0528.5029361	star grip	29 - 36	43	40	27
K0528.5033401	star grip	33 - 40	40,5	40	27
K0528.5037441	star grip	37 - 44	37	40	27