

Magnets shallow pot with countersink hard ferrite

Item description/product images



Description

Material:

Housing, steel.
Magnetic core hard ferrite.

Version:

Housing, electro zinc-plated.

Note:

Shielded system.

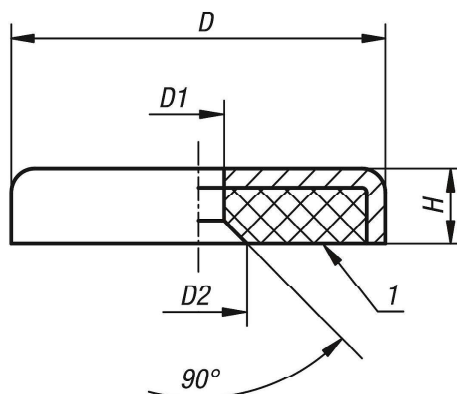
Temperature range:

max. 200°C.

Drawing reference:

1) magnetic face

Drawings



Overview of items

Magnets shallow pot with countersink hard ferrite

Order No.	D	D1	D2	H	Magnetic force N
K0555.01	16 ±0,15	3,3±0,2	7	4,5	14
K0555.02	20 ±0,15	4,2±0,2	9	6	27
K0555.03	25 ±0,15	5,5±0,2	11	7	36
K0555.04	32 ±0,20	5,5±0,2	11	7	72
K0555.05	40 ±0,20	5,5±0,2	11	8	90