

Levelling feet round with hex. collar

Item description/product images



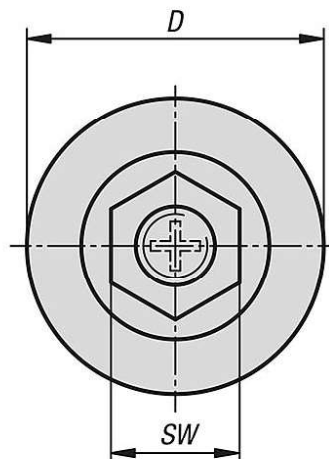
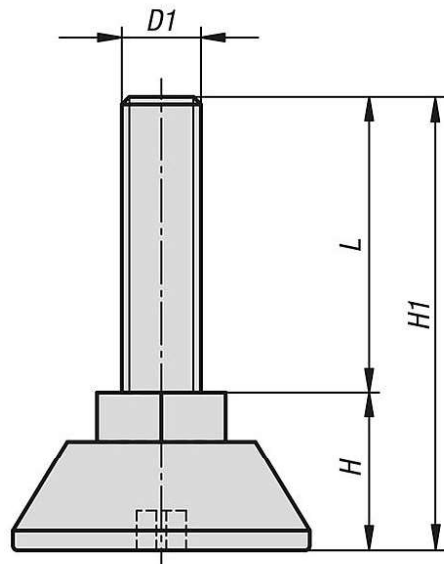
Description

Material:
Polyamide.
Screw, steel.

Version:
Black.
Screw electro zinc-plated.

Note:
Levelling feet with hexagonal collar and cross slot in the base as assembly aid. Rigid version.

Drawings



Levelling feet round with hex. collar

Overview of items

Levelling feet round with hex. collar

Order No.	D	D1	H	H1	L	SW	Load rating max. kN (static load only)
K0675.3006X020	30	M6	16	36	20	13	3
K0675.3006X030	30	M6	16	46	30	13	3
K0675.3008X015	30	M8	16	31	15	13	3
K0675.3008X020	30	M8	16	36	20	13	3
K0675.3008X025	30	M8	16	41	25	13	3
K0675.3008X030	30	M8	16	46	30	13	3
K0675.3008X040	30	M8	16	56	40	13	3
K0675.4708X015	47	M8	16	31	15	13	4
K0675.4708X020	47	M8	16	36	20	13	4
K0675.4708X030	47	M8	16	46	30	13	4
K0675.4708X040	47	M8	16	56	40	13	4
K0675.4710X020	47	M10	16	36	20	17	4
K0675.4710X030	47	M10	16	46	30	17	4