

Levelling feet

Item description/product images



Description

Material:

Foot plate and threaded spindle in steel.

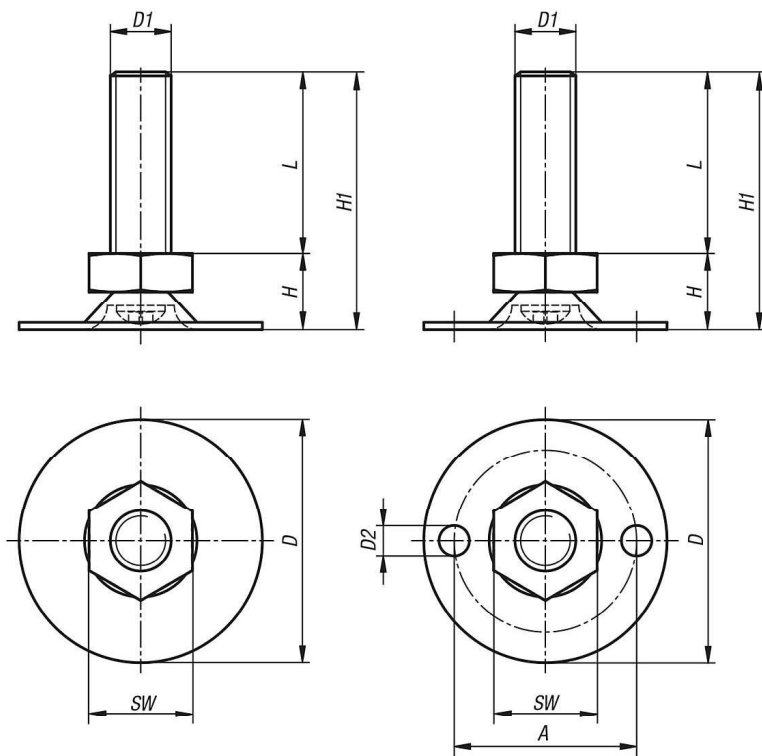
Version:

Foot plate and threaded spindle electro zinc-plated.

Note:

The threaded spindle is pressed into the rotatable base.

Drawings



Overview of items

Levelling feet

Order No.	Version 1	A	D	D1	D2	H	H1	L	SW	Load rating max. kN (static load only)
K0678.03008X016	without hole	-	30	M8	-	11	27	16	13	2,5
K0678.03008X020	without hole	-	30	M8	-	11	31	20	13	2,5
K0678.03008X030	without hole	-	30	M8	-	11	41	30	13	2,5
K0678.03008X040	without hole	-	30	M8	-	11	51	40	13	2,5

Levelling feet

Overview of items

Order No.	Version 1	A	D	D1	D2	H	H1	L	SW	Load rating max. kN (static load only)
K0678.03008X050	without hole	-	30	M8	-	11	61	50	13	2,5
K0678.03010X016	without hole	-	30	M10	-	12,5	28,5	16	17	3,5
K0678.03010X020	without hole	-	30	M10	-	12,5	32,5	20	17	3,5
K0678.03010X030	without hole	-	30	M10	-	12,5	42,5	30	17	3,5
K0678.03010X040	without hole	-	30	M10	-	12,5	52,5	40	17	3,5
K0678.03010X050	without hole	-	30	M10	-	12,5	62,5	50	17	3,5
K0678.03010X060	without hole	-	30	M10	-	12,5	72,5	60	17	3,5
K0678.04008X016	without hole	-	40	M8	-	11	27	16	13	2,5
K0678.04008X020	without hole	-	40	M8	-	11	31	20	13	2,5
K0678.04008X030	without hole	-	40	M8	-	11	41	30	13	2,5
K0678.04008X040	without hole	-	40	M8	-	11	51	40	13	2,5
K0678.04008X050	without hole	-	40	M8	-	11	61	50	13	2,5
K0678.04010X016	without hole	-	40	M10	-	11	27	16	17	3,5
K0678.04010X020	without hole	-	40	M10	-	11	31	20	17	3,5
K0678.04010X030	without hole	-	40	M10	-	11	41	30	17	3,5
K0678.04010X040	without hole	-	40	M10	-	11	51	40	17	3,5
K0678.04010X050	without hole	-	40	M10	-	11	61	50	17	3,5
K0678.04010X060	without hole	-	40	M10	-	11	71	60	17	3,5
K0678.05008X016	without hole	-	50	M8	-	12,5	28,5	16	13	2,5
K0678.05008X020	without hole	-	50	M8	-	12,5	32,5	20	13	2,5
K0678.05008X030	without hole	-	50	M8	-	12,5	42,5	30	13	2,5
K0678.05008X040	without hole	-	50	M8	-	12,5	52,5	40	13	2,5
K0678.05008X050	without hole	-	50	M8	-	12,5	62,5	50	13	2,5
K0678.05010X016	without hole	-	50	M10	-	14	30	16	17	3,5
K0678.05010X020	without hole	-	50	M10	-	14	34	20	17	3,5
K0678.05010X030	without hole	-	50	M10	-	14	44	30	17	3,5
K0678.05010X040	without hole	-	50	M10	-	14	54	40	17	3,5
K0678.05010X050	without hole	-	50	M10	-	14	64	50	17	3,5
K0678.05010X060	without hole	-	50	M10	-	14	74	60	17	3,5
K0678.06008X016	without hole	-	60	M8	-	13,5	29,5	16	13	2,5
K0678.06008X020	without hole	-	60	M8	-	13,5	33,5	20	13	2,5
K0678.06008X030	without hole	-	60	M8	-	13,5	43,5	30	13	2,5
K0678.06008X040	without hole	-	60	M8	-	13,5	53,5	40	13	2,5
K0678.06008X050	without hole	-	60	M8	-	13,5	63,5	50	13	2,5
K0678.06010X016	without hole	-	60	M10	-	15	31	16	17	3,5
K0678.06010X020	without hole	-	60	M10	-	15	35	20	17	3,5
K0678.06010X030	without hole	-	60	M10	-	15	45	30	17	3,5
K0678.06010X040	without hole	-	60	M10	-	15	55	40	17	3,5
K0678.06010X050	without hole	-	60	M10	-	15	65	50	17	3,5
K0678.06010X060	without hole	-	60	M10	-	15	75	60	17	3,5
K0678.13008X016	with hole	24,3	30	M8	4	11	27	16	13	2,5
K0678.13008X020	with hole	24,3	30	M8	4	11	31	20	13	2,5
K0678.13008X030	with hole	24,3	30	M8	4	11	41	30	13	2,5
K0678.13008X040	with hole	24,3	30	M8	4	11	51	40	13	2,5
K0678.13008X050	with hole	24,3	30	M8	4	11	61	50	13	2,5
K0678.13010X016	with hole	24,3	30	M10	4	12,5	28,5	16	17	3,5
K0678.13010X020	with hole	24,3	30	M10	4	12,5	32,5	20	17	3,5
K0678.13010X030	with hole	24,3	30	M10	4	12,5	42,5	30	17	3,5
K0678.13010X040	with hole	24,3	30	M10	4	12,5	52,5	40	17	3,5
K0678.13010X050	with hole	24,3	30	M10	4	12,5	62,5	50	17	3,5
K0678.13010X060	with hole	24,3	30	M10	4	12,5	72,5	60	17	3,5
K0678.14008X016	with hole	30	40	M8	5	11	27	16	13	2,5
K0678.14008X020	with hole	30	40	M8	5	11	31	20	13	2,5
K0678.14008X030	with hole	30	40	M8	5	11	41	30	13	2,5
K0678.14008X040	with hole	30	40	M8	5	11	51	40	13	2,5
K0678.14008X050	with hole	30	40	M8	5	11	61	50	13	2,5
K0678.14010X016	with hole	30	40	M10	5	11	27	16	17	3,5
K0678.14010X020	with hole	30	40	M10	5	11	31	20	17	3,5
K0678.14010X030	with hole	30	40	M10	5	11	41	30	17	3,5
K0678.14010X040	with hole	30	40	M10	5	11	51	40	17	3,5
K0678.14010X050	with hole	30	40	M10	5	11	61	50	17	3,5

Levelling feet

Overview of items

Order No.	Version 1	A	D	D1	D2	H	H1	L	SW	Load rating max. kN (static load only)
K0678.14010X060	with hole	30	40	M10	5	11	71	60	17	3,5
K0678.15008X016	with hole	35	50	M8	5,5	12,5	28,5	16	13	2,5
K0678.15008X020	with hole	35	50	M8	5,5	12,5	32,5	20	13	2,5
K0678.15008X030	with hole	35	50	M8	5,5	12,5	42,5	30	13	2,5
K0678.15008X040	with hole	35	50	M8	5,5	12,5	52,5	40	13	2,5
K0678.15008X050	with hole	35	50	M8	5,5	12,5	62,5	50	13	2,5
K0678.15010X016	with hole	35	50	M10	5,5	14	30	16	17	3,5
K0678.15010X020	with hole	35	50	M10	5,5	14	34	20	17	3,5
K0678.15010X030	with hole	35	50	M10	5,5	14	44	30	17	3,5
K0678.15010X040	with hole	35	50	M10	5,5	14	54	40	17	3,5
K0678.15010X050	with hole	35	50	M10	5,5	14	64	50	17	3,5
K0678.15010X060	with hole	35	50	M10	5,5	14	74	60	17	3,5
K0678.16008X016	with hole	46	60	M8	5,5	13,5	29,5	16	13	2,5
K0678.16008X020	with hole	46	60	M8	5,5	13,5	33,5	20	13	2,5
K0678.16008X030	with hole	46	60	M8	5,5	13,5	43,5	30	13	2,5
K0678.16008X040	with hole	46	60	M8	5,5	13,5	53,5	40	13	2,5
K0678.16008X050	with hole	46	60	M8	5,5	13,5	63,5	50	13	2,5
K0678.16010X016	with hole	46	60	M10	5,5	15	31	16	17	3,5
K0678.16010X020	with hole	46	60	M10	5,5	15	35	20	17	3,5
K0678.16010X030	with hole	46	60	M10	5,5	15	45	30	17	3,5
K0678.16010X040	with hole	46	60	M10	5,5	15	55	40	17	3,5
K0678.16010X050	with hole	46	60	M10	5,5	15	65	50	17	3,5
K0678.16010X060	with hole	46	60	M10	5,5	15	75	60	17	3,5