

## Crank handles offset similar to DIN 468

### Item description/product images

---



### Description

**Material:**

Crank arm malleable or ductile iron.

**Version:**

Blasted.

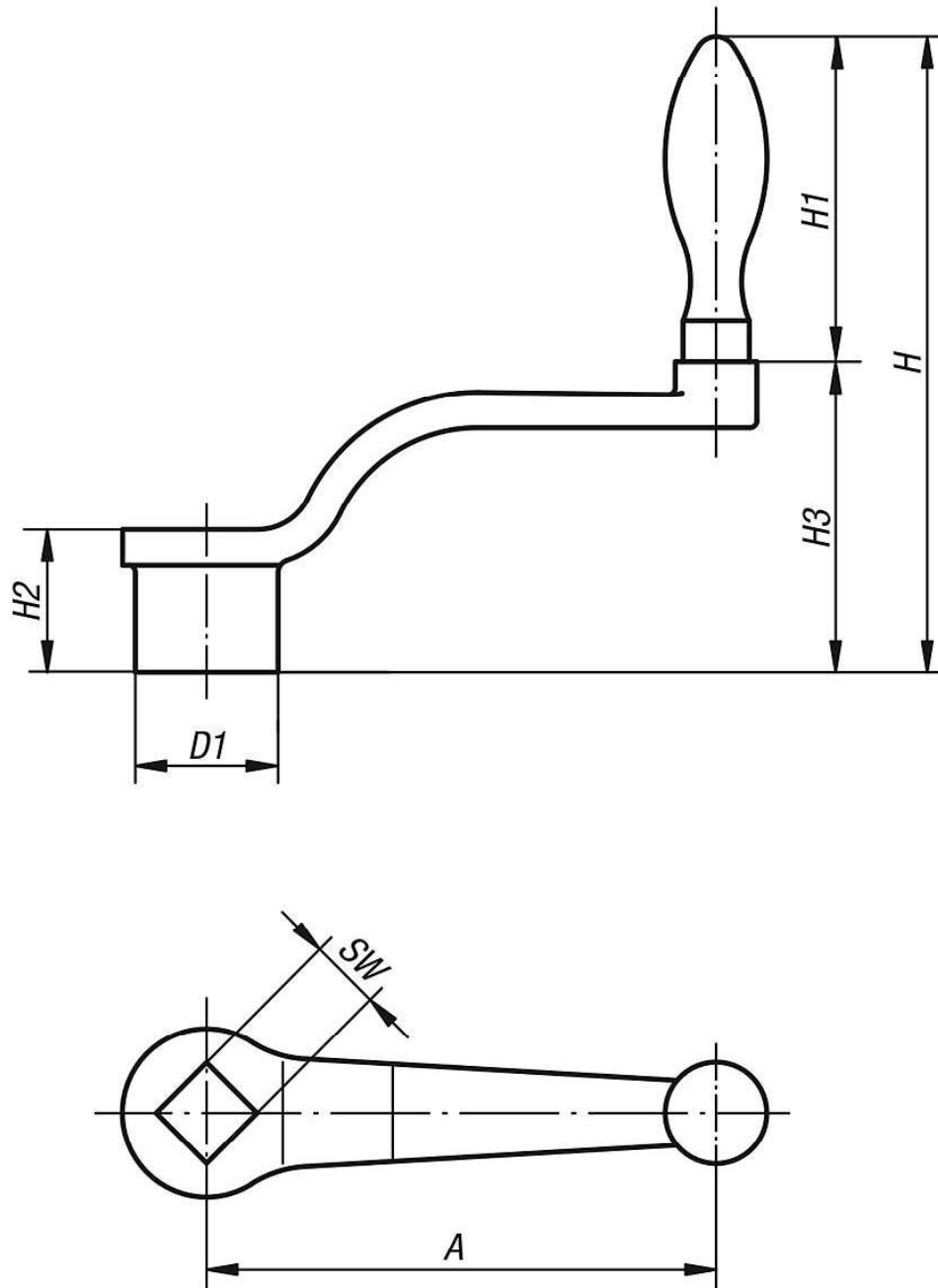
**Drawing reference:**

Form D: with revolving handle

Form F: with fixed handle

## Crank handles offset similar to DIN 468

## Drawings



## Overview of items

## Crank handles offset similar DIN 468

Order No.	Form	A	D1	H	H1	H2	H3	SW	Grip Ø
K0684.206X10	D	63	20	92	52	20	40	10 +0,2	16
K0684.208X10	D	80	24	109	65	24	44	10 +0,2	20
K0684.208X12	D	80	24	109	65	24	44	12 +0,2	20
K0684.210X12	D	100	28	120	65	28	55	12 +0,2	20

## Crank handles offset similar to DIN 468

### Overview of items

Order No.	Form	A	D1	H	H1	H2	H3	SW	Grip Ø
K0684.210X14	D	100	28	120	65	28	55	14 +0,3	20
K0684.212X14	D	125	34	141	83	34	58	14 +0,3	25
K0684.212X17	D	125	34	141	83	34	58	17 +0,3	25
K0684.216X17	D	160	37	153	83	38	70	17 +0,3	25
K0684.216X19	D	160	37	153	83	38	70	19 +0,3	25
K0684.220X19	D	200	40	189	105	44	84	19 +0,3	32
K0684.220X22	D	200	40	189	105	44	84	22 +0,3	32
K0684.106X10	F	63	20	92	52	20	40	10 +0,2	16
K0684.108X10	F	80	24	109	65	24	44	10 +0,2	20
K0684.108X12	F	80	24	109	65	24	44	12 +0,2	20
K0684.110X12	F	100	28	120	65	28	55	12 +0,2	20
K0684.110X14	F	100	28	120	65	28	55	14 +0,3	20
K0684.112X14	F	125	34	141	83	34	58	14 +0,3	25
K0684.112X17	F	125	34	141	83	34	58	17 +0,3	25
K0684.116X17	F	160	37	153	83	38	70	17 +0,3	25
K0684.116X19	F	160	37	153	83	38	70	19 +0,3	25
K0684.120X19	F	200	40	189	105	44	84	19 +0,3	32
K0684.120X22	F	200	40	189	105	44	84	22 +0,3	32