

Indexing plungers short version

Item description/product images



Description

Material:

Steel version:
Indexing pin not hardened.
Threaded sleeve 1.0718.
Indexing pin 1.4305.

Stainless steel version:
Indexing pin not hardened.
Threaded sleeve and indexing pin 1.4305.

Mushroom knob black grey thermoplastic.

Version:

Steel version:
Indexing pin hardened.
Threaded sleeve trivalent blue passivated.
Indexing pin bright.

Stainless steel version:
Indexing pin not hardened.
Steel parts bright.

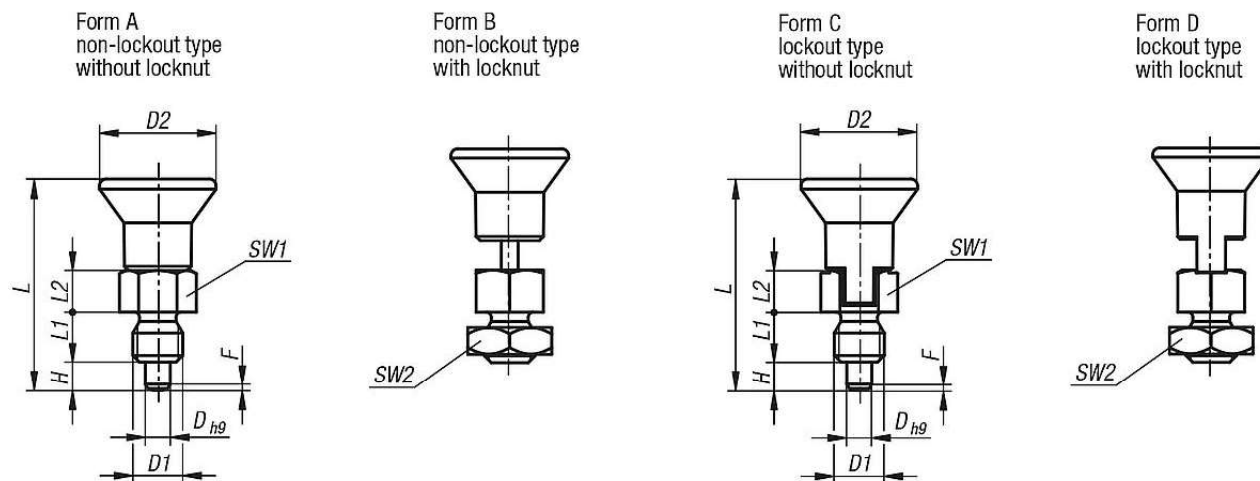
Note:

This article is a cost-efficient alternative to the existing indexing plungers. It is suitable for applications which require less precision. The max. tightening torque should be observed when assembling.

On request:

Special versions.

Drawings



Overview of items

Indexing plungers short version

Overview of items

Indexing plungers short version, steel, indexing pin not hardened

Order No. Form A	Order No. Form B	Order No. Form C	Order No. Form D	D	D1	D2	L	L1	L2	H	SW1	SW2	Fx30°	Spring force initial pressure F1 approx. N	Spring force final pressure F2 approx. N	Tightening torque max. Nm
K0748.01903060	K0748.02903060	K0748.03903060	K0748.04903060	3	M6	14	25,5	6	5	3,5	8	-/10/-/10	0,8	3,5	8	2
K0748.01004080	K0748.02004080	K0748.03004080	K0748.04004080	4	M8	18	29,5	6	6	4	10	-/13/-/13	1	3,5	9	2
K0748.01105100	K0748.02105100	K0748.03105100	K0748.04105100	5	M10	21	34,5	8	7	5	13	-/17/-/17	1,3	6	12	7
K0748.01206120	K0748.02206120	K0748.03206120	K0748.04206120	6	M12	25	41,7	10	8	6	14	-/19/-/19	1,8	6	12	15
K0748.01308160	K0748.02308160	K0748.03308160	K0748.04308160	8	M16	33	54	12	10	8	19	-/24/-/24	2,3	6	13	20

Indexing plungers, short version, stainless steel, indexing pin not hardened

Order No. Form A	Order No. Form B	Order No. Form C	Order No. Form D	D	D1	D2	L	L1	L2	H	SW1	SW2	Fx30°	Spring force initial pressure F1 approx. N	Spring force final pressure F2 approx. N	Tightening torque max. Nm
K0748.11903060	K0748.12903060	K0748.13903060	K0748.14903060	3	M6	14	25,5	6	5	3,5	8	-/10/-/10	0,8	3,5	8	2
K0748.11004080	K0748.12004080	K0748.13004080	K0748.14004080	4	M8	18	29,5	6	6	4	10	-/13/-/13	1	3,5	9	2
K0748.11105100	K0748.12105100	K0748.13105100	K0748.14105100	5	M10	21	34,5	8	7	5	13	-/17/-/17	1,3	6	12	7
K0748.11206120	K0748.12206120	K0748.13206120	K0748.14206120	6	M12	25	41,7	10	8	6	14	-/19/-/19	1,8	6	12	15
K0748.11308160	K0748.12308160	K0748.13308160	K0748.14308160	8	M16	33	54	12	10	8	19	-/24/-/24	2,3	6	13	20