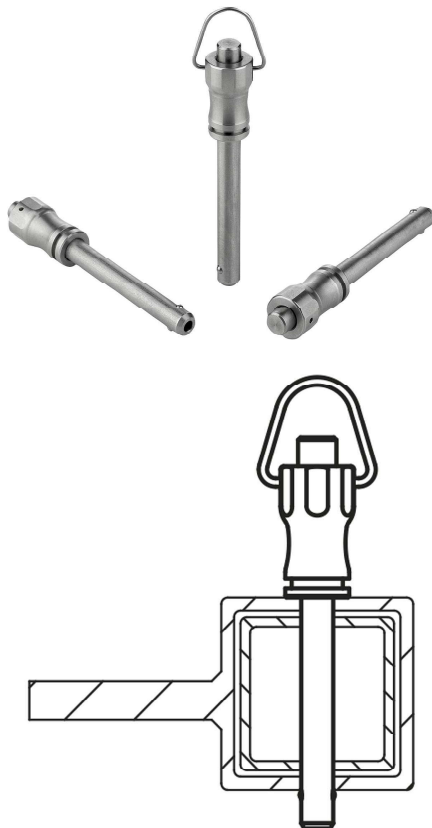


Ball lock pins self-locking, stainless steel

Item description/product images



Description

Material:

Grip and push button 1.4305 stainless steel.

Pin 1.4305 stainless steel.

Balls 1.4125 stainless steel.

Spring and hanger 1.4310 stainless steel wire.

Version:

Bright.

Note:

Ball lock pins are used for quick and easy fastening and joining of components. The two balls are disengaged by pressing the push button and the pin can be slipped into holes in the workpieces. Release the button to lock the balls and secure the connection.

Shear force double-shear (F) = S · τ aB max.

Accessory:

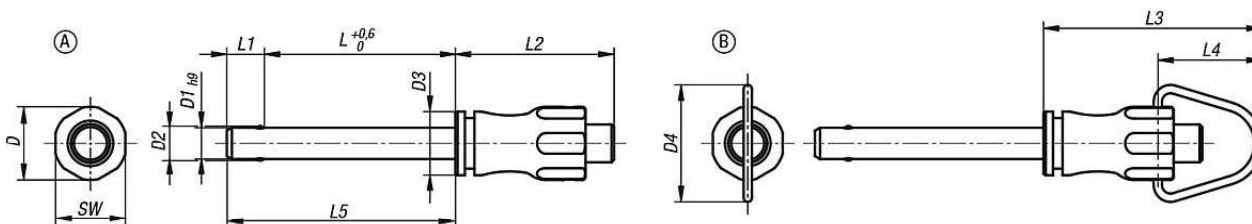
Bushes for ball lock pins K0724

Safety spiral cable K0367

Retaining cable with loop K0367

Key ring K0367

Drawings



Overview of items

Ball lock pins self-locking, in stainless steel Form A

| Order No. | Form | D | D1 | D2 | D3 | D4 | L | L1 | L2 | L3 | L4 | L5 | SW | Receiving hole H11 | Shearing force double shear max.kN |
|-----------------|------|------|----|-----|----|----|----|-----|----|----|----|------|----|--------------------|------------------------------------|
| K0790.001205010 | A | 11,5 | 5 | 5,5 | 10 | - | 10 | 5,9 | 25 | - | - | 15,9 | 11 | 5 | 15 |
| K0790.001205015 | A | 11,5 | 5 | 5,5 | 10 | - | 15 | 5,9 | 25 | - | - | 20,9 | 11 | 5 | 15 |
| K0790.001205020 | A | 11,5 | 5 | 5,5 | 10 | - | 20 | 5,9 | 25 | - | - | 25,9 | 11 | 5 | 15 |
| K0790.001205025 | A | 11,5 | 5 | 5,5 | 10 | - | 25 | 5,9 | 25 | - | - | 30,9 | 11 | 5 | 15 |
| K0790.001205030 | A | 11,5 | 5 | 5,5 | 10 | - | 30 | 5,9 | 25 | - | - | 35,9 | 11 | 5 | 15 |

Ball lock pins self-locking, stainless steel

Overview of items

| Order No. | Form | D | D1 | D2 | D3 | D4 | L | L1 | L2 | L3 | L4 | L5 | SW | Receiving hole H11 | Shearing force double shear max.kN |
|-----------------|------|------|----|------|------|----|----|------|------|------|------|------|----|--------------------|------------------------------------|
| K0790.101508050 | B | 15,5 | 8 | 9,5 | 13,5 | 24 | 50 | 7,8 | 33 | 46,7 | 22,7 | 57,8 | 15 | 8 | 38 |
| K0790.101510020 | B | 15,5 | 10 | 12 | 13,5 | 24 | 20 | 8,9 | 33 | 46,7 | 22,7 | 28,9 | 15 | 10 | 60 |
| K0790.101510025 | B | 15,5 | 10 | 12 | 13,5 | 24 | 25 | 8,9 | 33 | 46,7 | 22,7 | 33,9 | 15 | 10 | 60 |
| K0790.101510030 | B | 15,5 | 10 | 12 | 13,5 | 24 | 30 | 8,9 | 33 | 46,7 | 22,7 | 38,9 | 15 | 10 | 60 |
| K0790.101510035 | B | 15,5 | 10 | 12 | 13,5 | 24 | 35 | 8,9 | 33 | 46,7 | 22,7 | 43,9 | 15 | 10 | 60 |
| K0790.101510040 | B | 15,5 | 10 | 12 | 13,5 | 24 | 40 | 8,9 | 33 | 46,7 | 22,7 | 48,9 | 15 | 10 | 60 |
| K0790.101510045 | B | 15,5 | 10 | 12 | 13,5 | 24 | 45 | 8,9 | 33 | 46,7 | 22,7 | 53,9 | 15 | 10 | 60 |
| K0790.101510050 | B | 15,5 | 10 | 12 | 13,5 | 24 | 50 | 8,9 | 33 | 46,7 | 22,7 | 58,9 | 15 | 10 | 60 |
| K0790.101510060 | B | 15,5 | 10 | 12 | 13,5 | 24 | 60 | 8,9 | 33 | 46,7 | 22,7 | 68,9 | 15 | 10 | 60 |
| K0790.102112025 | B | 22 | 12 | 14,5 | 20 | 33 | 25 | 9,9 | 39,5 | 59,3 | 30,3 | 34,9 | 21 | 12 | 86 |
| K0790.102112030 | B | 22 | 12 | 14,5 | 20 | 33 | 30 | 9,9 | 39,5 | 59,3 | 30,3 | 39,9 | 21 | 12 | 86 |
| K0790.102112035 | B | 22 | 12 | 14,5 | 20 | 33 | 35 | 9,9 | 39,5 | 59,3 | 30,3 | 44,9 | 21 | 12 | 86 |
| K0790.102112040 | B | 22 | 12 | 14,5 | 20 | 33 | 40 | 9,9 | 39,5 | 59,3 | 30,3 | 49,9 | 21 | 12 | 86 |
| K0790.102112045 | B | 22 | 12 | 14,5 | 20 | 33 | 45 | 9,9 | 39,5 | 59,3 | 30,3 | 54,9 | 21 | 12 | 86 |
| K0790.102112050 | B | 22 | 12 | 14,5 | 20 | 33 | 50 | 9,9 | 39,5 | 59,3 | 30,3 | 59,9 | 21 | 12 | 86 |
| K0790.102112060 | B | 22 | 12 | 14,5 | 20 | 33 | 60 | 9,9 | 39,5 | 59,3 | 30,3 | 69,9 | 21 | 12 | 86 |
| K0790.102112070 | B | 22 | 12 | 14,5 | 20 | 33 | 70 | 9,9 | 39,5 | 59,3 | 30,3 | 79,9 | 21 | 12 | 86 |
| K0790.102112080 | B | 22 | 12 | 14,5 | 20 | 33 | 80 | 9,9 | 39,5 | 59,3 | 30,3 | 89,9 | 21 | 12 | 86 |
| K0790.102116030 | B | 22 | 16 | 19 | 20 | 33 | 30 | 13,1 | 39,5 | 59,3 | 30,3 | 43,1 | 21 | 16 | 153 |
| K0790.102116035 | B | 22 | 16 | 19 | 20 | 33 | 35 | 13,1 | 39,5 | 59,3 | 30,3 | 48,1 | 21 | 16 | 153 |
| K0790.102116040 | B | 22 | 16 | 19 | 20 | 33 | 40 | 13,1 | 39,5 | 59,3 | 30,3 | 53,1 | 21 | 16 | 153 |
| K0790.102116045 | B | 22 | 16 | 19 | 20 | 33 | 45 | 13,1 | 39,5 | 59,3 | 30,3 | 58,1 | 21 | 16 | 153 |
| K0790.102116050 | B | 22 | 16 | 19 | 20 | 33 | 50 | 13,1 | 39,5 | 59,3 | 30,3 | 63,1 | 21 | 16 | 153 |
| K0790.102116060 | B | 22 | 16 | 19 | 20 | 33 | 60 | 13,1 | 39,5 | 59,3 | 30,3 | 73,1 | 21 | 16 | 153 |
| K0790.102116070 | B | 22 | 16 | 19 | 20 | 33 | 70 | 13,1 | 39,5 | 59,3 | 30,3 | 83,1 | 21 | 16 | 153 |
| K0790.102116080 | B | 22 | 16 | 19 | 20 | 33 | 80 | 13,1 | 39,5 | 59,3 | 30,3 | 93,1 | 21 | 16 | 153 |