

Hexagon nuts with spherical seat

Item description/product images



Description

Material:

Carbon steel or stainless steel.

Version:

Steel version:

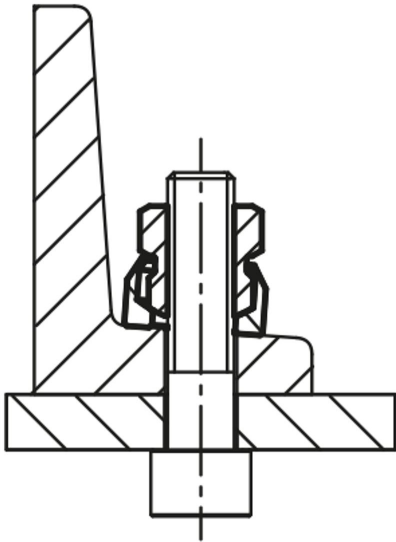
tempered to 900 N/mm², black oxidised.

Stainless steel version:

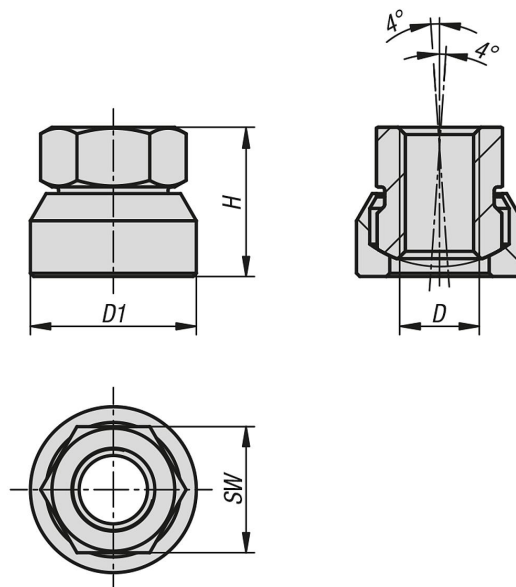
tempered to 900 N/mm², bright.

Note:

Captive components (one-piece).



Drawings



Overview of items

Hexagon nuts with spherical seat

Overview of items

Hexagon nuts with spherical seat

Order No.	Main material	D	D1	H	SW
K0794.08	steel	M8	18	15	13
K0794.10	steel	M10	22	18,5	17
K0794.12	steel	M12	25	22,5	19
K0794.16	steel	M16	31	29	24
K0794.808	stainless steel	M8	18	15	13
K0794.810	stainless steel	M10	22	18,5	17
K0794.812	stainless steel	M12	25	22,5	19
K0794.816	stainless steel	M16	31	29	24