

Item description/product images



Description

Material:

Thermoplastic PA (polyamide), glass-bead reinforced.
 Bush, screw, washer and nut steel or stainless steel.

Version:

Black grey

Note:

This pull handle is characterised by its large size and pleasant haptics.

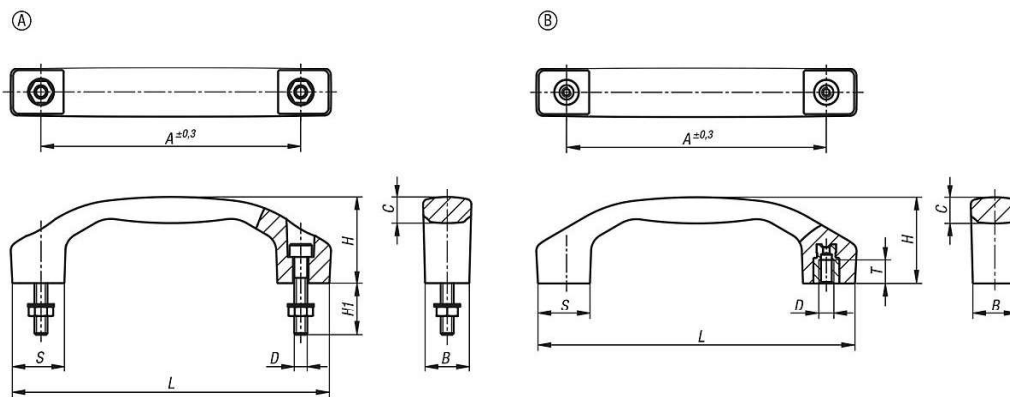
Form A is supplied with fastening screws, washers and nuts.

Assembly:

Form A from the front.

Form B from the rear.

Drawings



Overview of items

Pull handles

Order No.	Form	Component material	A	B	C	D	H	H1	L	S	T	Load capacity N
K1060.1100051	A	steel	100	17	9,5	M5	33	20	122	20	-	1000
K1060.1120061	A	steel	120	21	11,4	M6	39	25	146	24	-	1000
K1060.1140081	A	steel	140	24	14,2	M8	45	30	170	28	-	1000
K1060.1100052	A	stainless steel	100	17	9,5	M5	33	20	122	20	-	1000
K1060.1120062	A	stainless steel	120	21	11,4	M6	39	25	146	24	-	1000
K1060.1140082	A	stainless steel	140	24	14,2	M8	45	30	170	28	-	1000
K1060.2100051	B	steel	100	17	9,5	M5	33	-	122	20	9	1000
K1060.2120061	B	steel	120	21	11,4	M6	39	-	146	24	12	1000
K1060.2140081	B	steel	140	24	14,2	M8	45	-	170	28	12	1000
K1060.2100052	B	stainless steel	100	17	9,5	M5	33	-	122	20	9	1000
K1060.2120062	B	stainless steel	120	21	11,4	M6	39	-	146	24	12	1000
K1060.2140082	B	stainless steel	140	24	14,2	M8	45	-	170	28	12	1000

