

## Hexagon nuts with polyamide thread lock thin type, DIN 985

### Item description/product images



### Description

#### Material:

Steel or stainless steel (A 2)

#### Version:

Electro zinc-plated steel.

Bright stainless steel.

#### Note:

When screwing the nuts onto the thread, the thread lock is plastically and elastically deformed. The elastic deformation causes a radial frictional lock against the nuts being loosened.

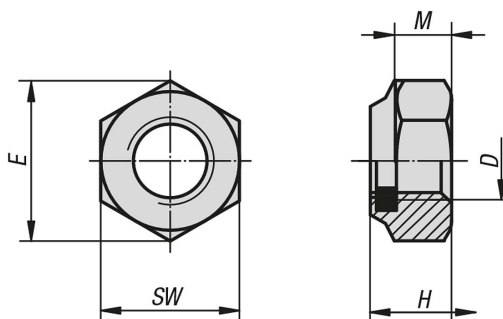
The plastic thread lock is only effective when the nuts are fully screwed onto the male thread. The screw length must be selected so that at least two full threads protrude from the nut.

Due to the plastic deformation of the thread lock, these nuts should only be used once.

#### Temperature range:

-50°C to +120°C.

### Drawings



### Overview of items

#### Hexagon nuts with polyamide thread lock, thin type DIN 985

Order No.	Main material	Grade	D	E	H	M	SW
K1148.203	steel	6-8	M3	6,08	4	2,4	5,5
K1148.204	steel	6-8	M4	7,66	5	2,9	7
K1148.205	steel	6-8	M5	8,79	5	3,2	8
K1148.206	steel	8	M6	11,05	6	4	10
K1148.208	steel	8	M8	14,38	8	5,5	13
K1148.210	steel	8	M10	18,9	10	6,5	17
K1148.212	steel	8	M12	21,1	12	8	19
K1148.214	steel	8	M14	23,9	14	9,5	22
K1148.216	steel	8	M16	26,76	16	10,5	24
K1148.220	steel	8	M20	32,95	20	14	30
K1148.224	steel	8	M24	39,55	24	15	36
K1148.227	steel	8	M27	45,2	27	17	41

## Hexagon nuts with polyamide thread lock thin type, DIN 985

## Overview of items

Order No.	Main material	Grade	D	E	H	M	SW
K1148.230	steel	8	M30	50,85	30	19	46
K1148.306	steel	10	M6	11,05	6	4	10
K1148.308	steel	10	M8	14,38	8	5,5	13
K1148.310	steel	10	M10	18,9	10	6,5	17
K1148.312	steel	10	M12	21,1	12	8	19
K1148.314	steel	10	M14	23,9	14	9,5	22
K1148.316	steel	10	M16	26,76	16	10,5	24
K1148.320	steel	10	M20	32,95	20	14	30
K1148.324	steel	10	M24	35	24	15	36
K1148.327	steel	10	M27	45,2	27	17	41
K1148.330	steel	10	M30	50,85	30	19	46
K1148.103	stainless steel	-	M3	6,08	4	2,4	5,5
K1148.104	stainless steel	-	M4	7,66	5	2,9	7
K1148.105	stainless steel	-	M5	8,79	5	3,2	8
K1148.106	stainless steel	-	M6	11,05	6	4	10
K1148.108	stainless steel	-	M8	14,38	8	5,5	13
K1148.110	stainless steel	-	M10	18,9	10	6,5	17
K1148.112	stainless steel	-	M12	21,1	12	8	19
K1148.114	stainless steel	-	M14	23,9	14	9,5	22
K1148.116	stainless steel	-	M16	26,76	16	10,5	24
K1148.120	stainless steel	-	M20	32,95	20	14	30
K1148.124	stainless steel	-	M24	39,55	24	15	36
K1148.127	stainless steel	-	M27	45,2	27	17	41
K1148.130	stainless steel	-	M30	50,85	30	19	46