

Spring hinges aluminium profile, 0.35 Nm

Item description/product images



Description

Material:

Aluminium 6060 T5.
End caps PA 6.6.
Washers POM.

Version:

Black anodised

Note:

These hinges have steel tension springs which enables doors and hatches to open or close automatically.
Opening angle 180°.

Spring torque opening:

M(0°): 0.35 Nm / M(90°): 0.24 Nm / M(180°): 0.12 Nm

These hinges have a more than 30000 cycle service life.

Fastened using DIN 912/EN ISO 4762 socket head screws.

Temperature range:

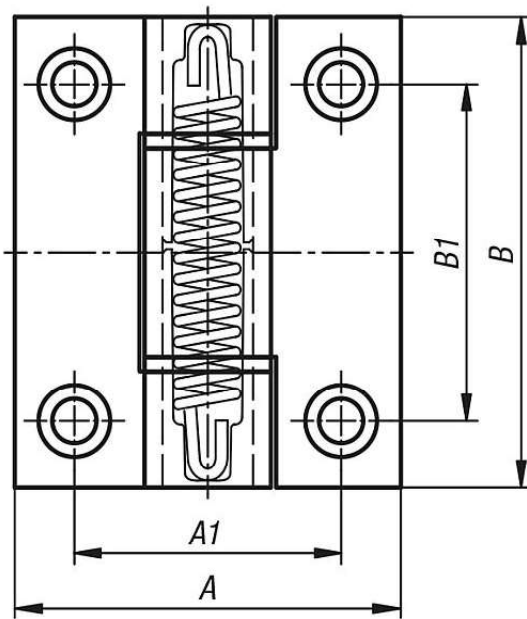
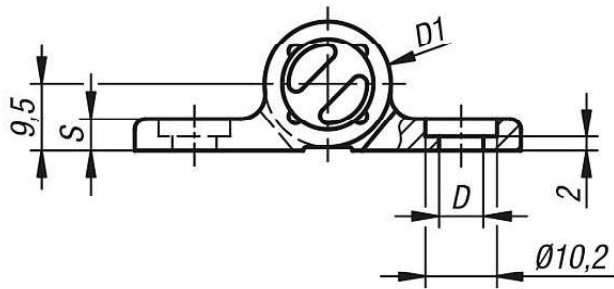
From -20°C to +80°C

Accessory:

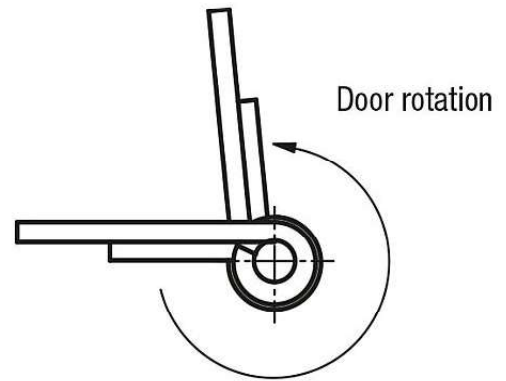
Socket head screws with hexagon socket DIN 912/EN ISO 4762.

Spring hinges aluminium profile, 0.35 Nm

Drawings



Hinges with opening spring



Overview of items

Spring hinges aluminium profile, 0.35 Nm

Order No.	Version 1	A	A1	B	B1	D	D1	S
K1179.556701	spring open	55	38	67	48	6,3	18	4,5