

Hexagon bolts with narrow shaft in Hygienic DESIGN

Item description/product images



Description

Material:

Stainless steel 1.4404.

Version:

Polished.

Note:

Narrow shaft bolts are preferably secured against unintentional loss with a retaining element. This satisfies the EU standard 2006/42/EG. With the optionally available retaining washer the bolt is permanently combined with the component before screwing in. The washer is screwed over the threaded section and can then move freely on the narrow shaft. The shaft is not damaged by e.g. notching caused by a spring effect. By manual operation it is not possible that the washer screws itself out again. However, by careful manipulation the washer can be removed from the bolt without damaging either.

The surface of the hexagon head bolt is polished and, with regard to design optimised for the use in hygienic environments. The bolt head is convex on the top face and the collar has a conical formed top surface. Instead of troublesome embossing or indentations, the bolt head is smooth with a surface finish of less than $Ra\ 0.8\ \mu\text{m}$. Dirt and residue from products or cleaners seldom adheres and easy cleaning is ensured.

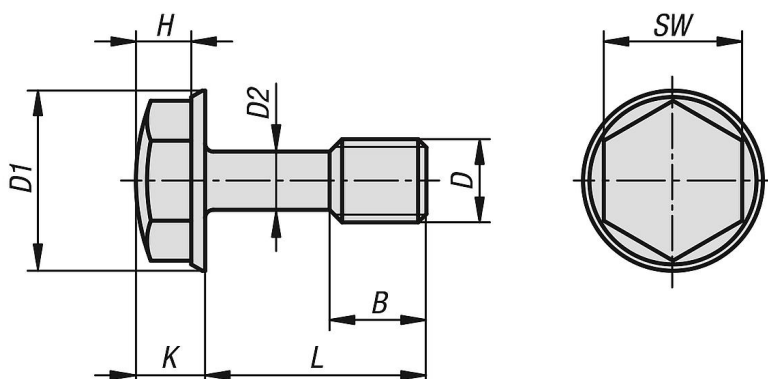
On request:

Inch threads, thread lengths, shaft lengths

Accessory:

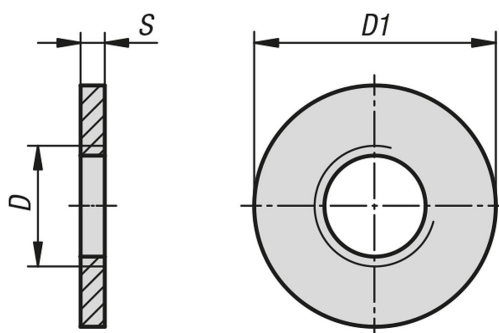
Locking washer K1331.

Drawings



Hexagon bolts with narrow shaft in Hygienic DESIGN

Drawings



Overview of items

Hexagon bolts with narrow shaft in Hygienic DESIGN

Order No.	Item	D	D1	D2	H	B	S	K	L	SW
K1330.03X6	Hexagon Head Bolt	M3	7	2,1	3	4,5	-	3,8	6	5,5
K1330.03X8	Hexagon Head Bolt	M3	7	2,1	3	4,5	-	3,8	8	5,5
K1330.03X10	Hexagon Head Bolt	M3	7	2,1	3	4,5	-	3,8	10	5,5
K1330.03X12	Hexagon Head Bolt	M3	7	2,1	3	4,5	-	3,8	12	5,5
K1330.04X6	Hexagon Head Bolt	M4	9,2	3,1	3	5	-	4	6	7
K1330.04X8	Hexagon Head Bolt	M4	9,2	3,1	3	5	-	4	8	7
K1330.04X10	Hexagon Head Bolt	M4	9,2	3,1	3	5	-	4	10	7
K1330.04X12	Hexagon Head Bolt	M4	9,2	3,1	3	5	-	4	12	7
K1330.04X16	Hexagon Head Bolt	M4	9,2	3,1	3	5	-	4	16	7
K1330.04X20	Hexagon Head Bolt	M4	9,2	3,1	3	14	-	4	20	7
K1330.05X8	Hexagon Head Bolt	M5	10,5	3,7	3,7	6	-	4,7	8	8
K1330.05X10	Hexagon Head Bolt	M5	10,5	3,7	3,7	6	-	4,7	10	8
K1330.05X12	Hexagon Head Bolt	M5	10,5	3,7	3,7	6	-	4,7	12	8
K1330.05X16	Hexagon Head Bolt	M5	10,5	3,7	3,7	6	-	4,7	16	8
K1330.05X20	Hexagon Head Bolt	M5	10,5	3,7	3,7	6	-	4,7	20	8
K1330.05X25	Hexagon Head Bolt	M5	10,5	3,7	3,7	16	-	4,7	25	8
K1330.06X8	Hexagon Head Bolt	M6	13	4,2	4	7	-	5	8	10
K1330.06X10	Hexagon Head Bolt	M6	13	4,2	4	7	-	5	10	10
K1330.06X12	Hexagon Head Bolt	M6	13	4,2	4	7	-	5	12	10
K1330.06X16	Hexagon Head Bolt	M6	13	4,2	4	7	-	5	16	10
K1330.06X20	Hexagon Head Bolt	M6	13	4,2	4	7	-	5	20	10
K1330.06X25	Hexagon Head Bolt	M6	13	4,2	4	18	-	5	25	10
K1330.06X30	Hexagon Head Bolt	M6	13	4,2	4	18	-	5	30	10
K1330.06X35	Hexagon Head Bolt	M6	13	4,2	4	18	-	5	35	10
K1330.06X40	Hexagon Head Bolt	M6	13	4,2	4	18	-	5	40	10
K1330.06X45	Hexagon Head Bolt	M6	13	4,2	4	18	-	5	45	10
K1330.06X50	Hexagon Head Bolt	M6	13	4,2	4	18	-	5	50	10
K1330.06X60	Hexagon Head Bolt	M6	13	4,2	4	18	-	5	60	10
K1330.08X12	Hexagon Head Bolt	M8	16,8	6	5,5	9	-	6,5	12	13
K1330.08X14	Hexagon Head Bolt	M8	16,8	6	5,5	9	-	6,5	14	13
K1330.08X16	Hexagon Head Bolt	M8	16,8	6	5,5	9	-	6,5	16	13
K1330.08X20	Hexagon Head Bolt	M8	16,8	6	5,5	9	-	6,5	20	13
K1330.08X25	Hexagon Head Bolt	M8	16,8	6	5,5	9	-	6,5	25	13
K1330.08X30	Hexagon Head Bolt	M8	16,8	6	5,5	22	-	6,5	30	13
K1330.08X35	Hexagon Head Bolt	M8	16,8	6	5,5	22	-	6,5	35	13
K1330.08X40	Hexagon Head Bolt	M8	16,8	6	5,5	22	-	6,5	40	13
K1330.08X45	Hexagon Head Bolt	M8	16,8	6	5,5	22	-	6,5	45	13
K1330.08X50	Hexagon Head Bolt	M8	16,8	6	5,5	22	-	6,5	50	13
K1330.08X55	Hexagon Head Bolt	M8	16,8	6	5,5	22	-	6,5	55	13
K1330.08X60	Hexagon Head Bolt	M8	16,8	6	5,5	22	-	6,5	60	13
K1330.08X65	Hexagon Head Bolt	M8	16,8	6	5,5	22	-	6,5	65	13
K1330.08X70	Hexagon Head Bolt	M8	16,8	6	5,5	22	-	6,5	70	13

Hexagon bolts with narrow shaft in Hygienic DESIGN

Overview of items

Order No.	Item	D	D1	D2	H	B	S	K	L	SW
K1330.10X20	Hexagon Head Bolt	M10	20,6	7,7	7,3	12	-	8,3	20	16
K1330.10X25	Hexagon Head Bolt	M10	20,6	7,7	7,3	12	-	8,3	25	16
K1330.10X30	Hexagon Head Bolt	M10	20,6	7,7	7,3	12	-	8,3	30	16
K1330.10X35	Hexagon Head Bolt	M10	20,6	7,7	7,3	12	-	8,3	35	16
K1330.10X40	Hexagon Head Bolt	M10	20,6	7,7	7,3	26	-	8,3	40	16
K1330.10X45	Hexagon Head Bolt	M10	20,6	7,7	7,3	26	-	8,3	45	16
K1330.10X50	Hexagon Head Bolt	M10	20,6	7,7	7,3	26	-	8,3	50	16
K1330.10X55	Hexagon Head Bolt	M10	20,6	7,7	7,3	26	-	8,3	55	16
K1330.10X60	Hexagon Head Bolt	M10	20,6	7,7	7,3	26	-	8,3	60	16
K1330.10X65	Hexagon Head Bolt	M10	20,6	7,7	7,3	26	-	8,3	65	16
K1330.10X70	Hexagon Head Bolt	M10	20,6	7,7	7,3	26	-	8,3	70	16
K1330.10X75	Hexagon Head Bolt	M10	20,6	7,7	7,3	26	-	8,3	75	16
K1330.10X80	Hexagon Head Bolt	M10	20,6	7,7	7,3	26	-	8,3	80	16
K1331.03	Locking Washer	M3	6	-	-	-	1,5	-	-	-
K1331.04	Locking Washer	M4	8	-	-	-	1,5	-	-	-
K1331.05	Locking Washer	M5	10	-	-	-	1,5	-	-	-
K1331.06	Locking Washer	M6	12	-	-	-	1,5	-	-	-
K1331.08	Locking Washer	M8	16	-	-	-	2	-	-	-
K1331.10	Locking Washer	M10	20	-	-	-	2	-	-	-