

## Hexagon head screws, stainless steel in Hygienic DESIGN

### Item description/product images



### Description

#### Material:

Stainless steel 1.4404

#### Version:

Polished.

#### Note:

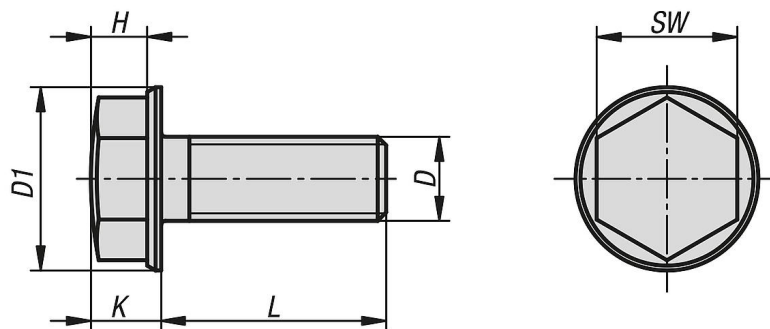
The surface of the hexagon head bolt is polished and, with regard to design optimised for the use in hygienic environments.

The bolt head is convex on the top face and the collar has a conical formed top surface.

Instead of troublesome embossing or indentations, the bolt head is smooth with a surface finish of Ra 0.8 µm.

Dirt and residue from products or cleaners seldom adheres and easy cleaning is ensured.

### Drawings



### Overview of items

#### Hexagon head screws, stainless steel in Hygienic DESIGN

Order No.	D	D1	H	K	L	SW
K1411.03X06	M3	7	3	3,8	6	5,5
K1411.03X08	M3	7	3	3,8	8	5,5
K1411.03X12	M3	7	3	3,8	12	5,5
K1411.03X16	M3	7	3	3,8	16	5,5
K1411.03X20	M3	7	3	3,8	20	5,5
K1411.03X25	M3	7	3	3,8	25	5,5
K1411.03X30	M3	7	3	3,8	30	5,5
K1411.04X08	M4	9,2	3	4	8	7
K1411.04X12	M4	9,2	3	4	12	7
K1411.04X16	M4	9,2	3	4	16	7
K1411.04X20	M4	9,2	3	4	20	7
K1411.04X25	M4	9,2	3	4	25	7
K1411.04X30	M4	9,2	3	4	30	7
K1411.04X35	M4	9,2	3	4	35	7
K1411.04X40	M4	9,2	3	4	40	7
K1411.05X12	M5	10,5	3,7	4,7	12	8
K1411.05X16	M5	10,5	3,7	4,7	16	8
K1411.05X20	M5	10,5	3,7	4,7	20	8

## Hexagon head screws, stainless steel in Hygienic DESIGN

## Overview of items

Order No.	D	D1	H	K	L	SW
K1411.05X25	M5	10,5	3,7	4,7	25	8
K1411.05X30	M5	10,5	3,7	4,7	30	8
K1411.05X35	M5	10,5	3,7	4,7	35	8
K1411.05X40	M5	10,5	3,7	4,7	40	8
K1411.05X45	M5	10,5	3,7	4,7	45	8
K1411.05X50	M5	10,5	3,7	4,7	50	8
K1411.06X12	M6	13	4	5	12	10
K1411.06X16	M6	13	4	5	16	10
K1411.06X20	M6	13	4	5	20	10
K1411.06X25	M6	13	4	5	25	10
K1411.06X30	M6	13	4	5	30	10
K1411.06X35	M6	13	4	5	35	10
K1411.06X40	M6	13	4	5	40	10
K1411.06X45	M6	13	4	5	45	10
K1411.06X50	M6	13	4	5	50	10
K1411.06X55	M6	13	4	5	55	10
K1411.06X60	M6	13	4	5	60	10
K1411.08X16	M8	16,8	5,5	6,5	16	13
K1411.08X20	M8	16,8	5,5	6,5	20	13
K1411.08X25	M8	16,8	5,5	6,5	25	13
K1411.08X30	M8	16,8	5,5	6,5	30	13
K1411.08X35	M8	16,8	5,5	6,5	35	13
K1411.08X40	M8	16,8	5,5	6,5	40	13
K1411.08X45	M8	16,8	5,5	6,5	45	13
K1411.08X50	M8	16,8	5,5	6,5	50	13
K1411.08X55	M8	16,8	5,5	6,5	55	13
K1411.08X60	M8	16,8	5,5	6,5	60	13
K1411.10X20	M10	20,6	7,3	8,3	20	16
K1411.10X25	M10	20,6	7,3	8,3	25	16
K1411.10X30	M10	20,6	7,3	8,3	30	16
K1411.10X35	M10	20,6	7,3	8,3	35	16
K1411.10X40	M10	20,6	7,3	8,3	40	16
K1411.10X45	M10	20,6	7,3	8,3	45	16
K1411.10X50	M10	20,6	7,3	8,3	50	16
K1411.10X55	M10	20,6	7,3	8,3	55	16
K1411.10X60	M10	20,6	7,3	8,3	60	16