

Eye bolts DIN 444, Form B with long thread

Item description/product images



Description

Material:

Steel or 1.4305 stainless steel

Version:

Steel grade 8.8, black oxidised.

Stainless steel bright.

Note:

Eye bolts, threaded up to the eye.

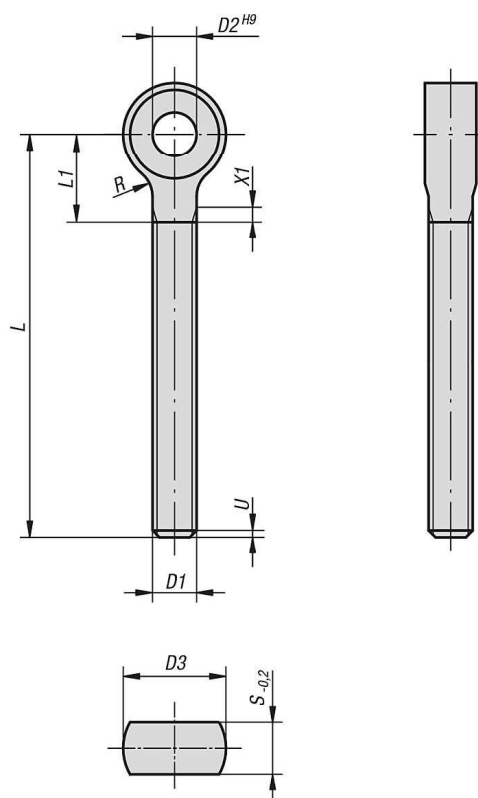
See K0007 for suitable hinge pins.

Drawing reference:

U = max. 2 P (incomplete thread)

X1 = to DIN 76 part 1

Drawings



Overview of items

Eye bolts DIN 444, Form B with long thread

Order No.	Main material	D1	D2	D3	L	L1 max.	R	S
K1418.0650	steel	M6	6	14	50	14	4	7
K1418.0660	steel	M6	6	14	60	14	4	7

Eye bolts DIN 444, Form B with long thread

Overview of items

Order No.	Main material	D1	D2	D3	L	L1 max.	R	S
K1418.0670	steel	M6	6	14	70	14	4	7
K1418.0680	steel	M6	6	14	80	14	4	7
K1418.0850	steel	M8	8	18	50	16	4	9
K1418.0860	steel	M8	8	18	60	16	4	9
K1418.0870	steel	M8	8	18	70	16	4	9
K1418.0880	steel	M8	8	18	80	16	4	9
K1418.08100	steel	M8	8	18	100	16	4	9
K1418.1050	steel	M10	10	20	50	18	4	12
K1418.1060	steel	M10	10	20	60	18	4	12
K1418.1070	steel	M10	10	20	70	18	4	12
K1418.1080	steel	M10	10	20	80	18	4	12
K1418.10100	steel	M10	10	20	100	18	4	12
K1418.10120	steel	M10	10	20	120	18	4	12
K1418.1250	steel	M12	12	25	50	23	6	14
K1418.1260	steel	M12	12	25	60	23	6	14
K1418.1270	steel	M12	12	25	70	23	6	14
K1418.1280	steel	M12	12	25	80	23	6	14
K1418.12100	steel	M12	12	25	100	23	6	14
K1418.12120	steel	M12	12	25	120	23	6	14
K1418.12130	steel	M12	12	25	130	23	6	14
K1418.1670	steel	M16	16	32	70	27	6	17
K1418.1680	steel	M16	16	32	80	27	6	17
K1418.16100	steel	M16	16	32	100	27	6	17
K1418.16120	steel	M16	16	32	120	27	6	17
K1418.16140	steel	M16	16	32	140	27	6	17
K1418.16160	steel	M16	16	32	160	27	6	17
K1418.20100	steel	M20	18	40	100	32	6	22
K1418.20120	steel	M20	18	40	120	32	6	22
K1418.20140	steel	M20	18	40	140	32	6	22
K1418.20160	steel	M20	18	40	160	32	6	22
K1418.24160	steel	M24	22	45	160	40	10	25
K1418.24240	steel	M24	22	45	240	40	10	25
K1418.10650	stainless steel	M6	6	14	50	14	4	7
K1418.10660	stainless steel	M6	6	14	60	14	4	7
K1418.10670	stainless steel	M6	6	14	70	14	4	7
K1418.10680	stainless steel	M6	6	14	80	14	4	7
K1418.10850	stainless steel	M8	8	18	50	16	4	9
K1418.10860	stainless steel	M8	8	18	60	16	4	9
K1418.10870	stainless steel	M8	8	18	70	16	4	9
K1418.10880	stainless steel	M8	8	18	80	16	4	9
K1418.108100	stainless steel	M8	8	18	100	16	4	9
K1418.11050	stainless steel	M10	10	20	50	18	4	12
K1418.11060	stainless steel	M10	10	20	60	18	4	12
K1418.11070	stainless steel	M10	10	20	70	18	4	12
K1418.11080	stainless steel	M10	10	20	80	18	4	12
K1418.110100	stainless steel	M10	10	20	100	18	4	12
K1418.110120	stainless steel	M10	10	20	120	18	4	12
K1418.11250	stainless steel	M12	12	25	50	23	6	14
K1418.11260	stainless steel	M12	12	25	60	23	6	14
K1418.11270	stainless steel	M12	12	25	70	23	6	14
K1418.11280	stainless steel	M12	12	25	80	23	6	14
K1418.112100	stainless steel	M12	12	25	100	23	6	14
K1418.112120	stainless steel	M12	12	25	120	23	6	14
K1418.112130	stainless steel	M12	12	25	130	23	6	14
K1418.11670	stainless steel	M16	16	32	70	27	6	17
K1418.11680	stainless steel	M16	16	32	80	27	6	17
K1418.116100	stainless steel	M16	16	32	100	27	6	17
K1418.116120	stainless steel	M16	16	32	120	27	6	17
K1418.116140	stainless steel	M16	16	32	140	27	6	17
K1418.116160	stainless steel	M16	16	32	160	27	6	17
K1418.120100	stainless steel	M20	18	40	100	32	6	22
K1418.120120	stainless steel	M20	18	40	120	32	6	22

Eye bolts DIN 444, Form B with long thread**Overview of items**

Order No.	Main material	D1	D2	D3	L	L1 max.	R	S
K1418.120140	stainless steel	M20	18	40	140	32	6	22
K1418.120160	stainless steel	M20	18	40	160	32	6	22