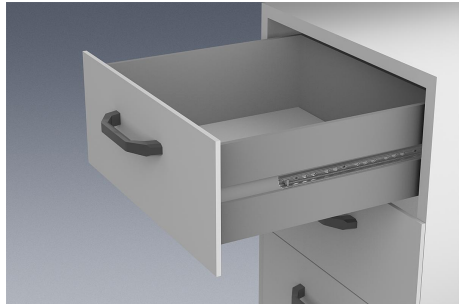


## Telescopic slides, steel for slot mounting, partial extension, load capacity up to 10 kg

Item description/product images



### Description

**Material:**

Steel slides.  
Plastic ball cages.  
C-steel balls.

**Version:**

Slides electro zinc-plated.  
Balls hardened.

**Note for ordering:**

Supplied in pairs

**Note:**

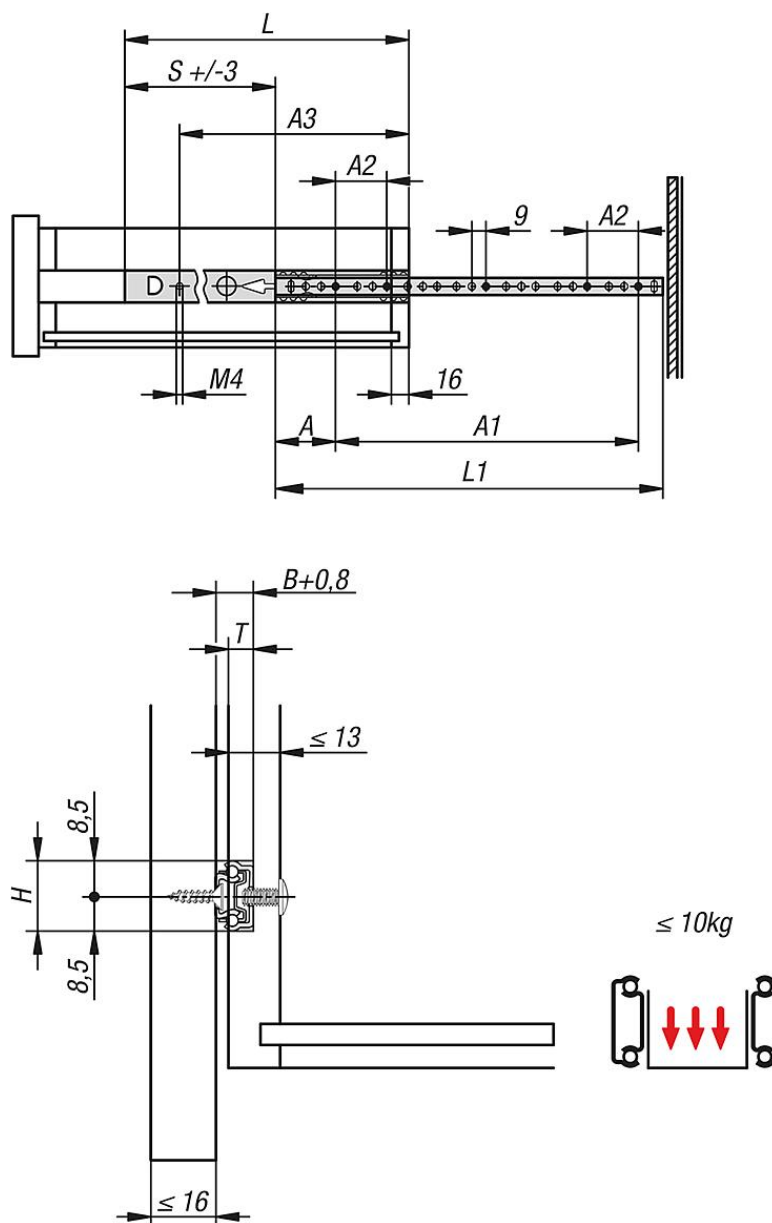
On telescopic slides with partial extension, the travel is less than the installed length. These are a low-cost solution for guiding drawers or similar items with little friction and high lateral stability. Interlocking in closed position. The dynamic load capacity of the telescopic slides indicates the maximum load rating of a vertically mounted slide pair when the entire extension length is used. The specified load capacities refer to the maximum value for 20,000 cycles.

**Note:**

The load capacity of all telescopic slides is tested to DIN EN 15338 Level 1.

## Telescopic slides, steel for slot mounting, partial extension, load capacity up to 10 kg

Drawings



### Overview of items

#### Steel telescopic slides, for slot mounting, partial extension, load capacity up to 10 kg

Order No.	A	A2	A3	B	H	L	L1	Travel S	T = slot depth	Loading per pair kg	Drawer depth from - to
K1566.0133	37	32	101	10	17	133	150	85	6-7	10	155 - 210
K1566.0164	37	32	132	10	17	164	182	104	6-7	10	185 - 260
K1566.0185	37	32	153	10	17	185	182	125	6-7	10	185 - 305
K1566.0210	37	32	178	10	17	210	214	138	6-7	10	220 - 340
K1566.0217	37	32	185	10	17	217	214	145	6-7	10	220 - 355
K1566.0241	37	32	209	10	17	241	246	157	6-7	10	250 - 390
K1566.0249	37	32	217	10	17	249	246	165	6-7	10	250 - 410
K1566.0430	37	32	398	10	17	430	278	328	6-7	10	430
K1566.0450	37	32	418	10	17	450	278	348	6-7	10	450
K1566.0480	37	32	448	10	17	480	310	366	6-7	10	480

## Telescopic slides, steel for slot mounting, partial extension, load capacity up to 10 kg

### Overview of items

Order No.	A	A2	A3	B	H	L	L1	Travel S	T = slot depth	Loading per pair kg	Drawer depth from - to
<b>K1566.0500</b>	37	32	468	10	17	500	310	368	6-7	10	500
<b>K1566.0550</b>	37	32	518	10	17	550	342	424	6-7	10	550