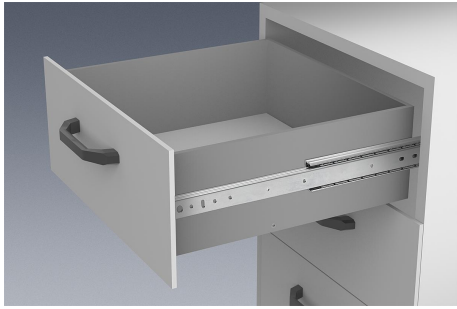


Telescopic slides, steel for side mounting, over-extension, load capacity up to 90 kg

Item description/product images



Description

Material:

Slides steel.
Ball cages steel and plastic.
Balls C-steel.

Version:

Slides electro zinc-plated and trivalent blue passivated.
Balls hardened.

Note for ordering:

Supplied in pairs

Note:

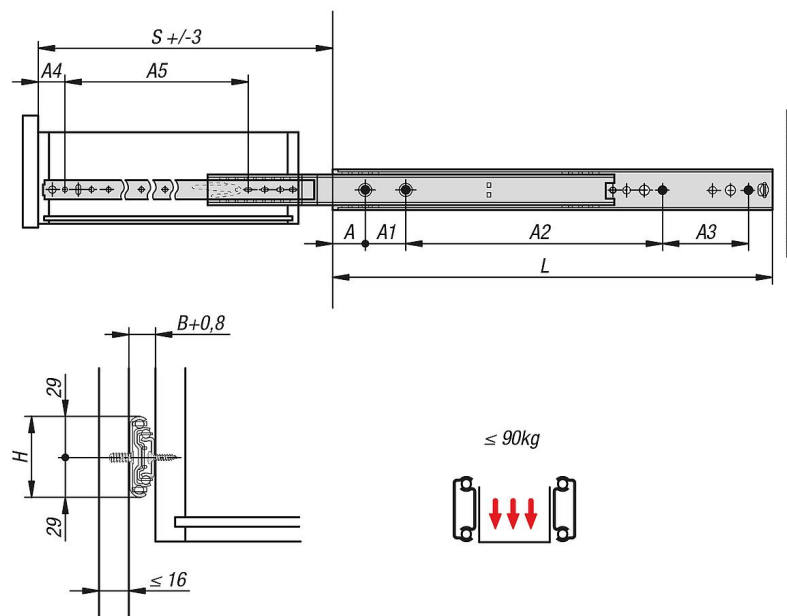
On telescopic slides with over-extension, the travel is greater than the installed length. Interlocking in closed position. When the release lever is actuated, the drawer can be taken out easily and separated from the guide.

The dynamic load capacity of the telescopic slides indicates the maximum load rating of a vertically mounted slide pair when the entire extension length is used. The specified load capacities refer to the maximum value for 20,000 cycles.

Note:

The load capacity of all telescopic slides is tested to DIN EN 15338 Level 1.

Drawings



Overview of items

Steel telescopic slides for side mounting, over-extension, load capacity up to 90 kg

Telescopic slides, steel for side mounting, over-extension, load capacity up to 90 kg

Overview of items

Order No.	A	A1	A2	A3	A4	A5	B	H	L	Travel S	Loading per pair kg
K1580.0300	31,75	57	122	-	31,75	233,5	19	58	300	338	90
K1580.0350	31,75	57	172	-	31,75	283,5	19	58	350	388	90
K1580.0400	31,75	57	111	111	31,75	333,5	19	58	400	438	90
K1580.0450	31,75	57	136	136	31,75	383,5	19	58	450	488	90
K1580.0500	31,75	57	161	161	31,75	433,5	19	58	500	538	90
K1580.0550	31,75	57	186	186	31,75	483,5	19	58	550	588	90
K1580.0600	31,75	57	211	211	31,75	533,5	19	58	600	638	90
K1580.0650	31,75	57	236	236	31,75	583,5	19	58	650	688	90
K1580.0700	31,75	57	261	261	31,75	633,5	19	58	700	738	90