

Stainless steel cap nuts with collar and seal and shim washer for Hygienic USIT® set

Item description/product images



Description

Product description:

Set: cap nut with collar K1493 + Hygienic USIT® seal and shim washer K1491.

Only the combination of a cap nut with collar and the Hygienic USIT® seal and shim washer assures a cavity-free seal.

The cap nut with collar for Hygienic USIT® seal and shim washers is ideal for fastening in sterile areas and also conform to EHEDG regulations, which is confirmed with the relevant certificate.

Material:

Cap nut: stainless steel 1.4404.

Washer: stainless steel 1.4404.

Seal ring:

70 EPDM 291 (black).

70 EPDM 253815 (white).

75 Fluoroprene® XP 45 (blue).

Version:

Cap nut: polished.

Note:

The EHEDG certificate is only valid when a combination of cap nut with collar K1493 and specially matched Hygienic USIT® seal and shim washer K1491 is used.

Attention:

The function of the Hygienic USIT® screw connection system has been tested in combination with stainless steel materials and standard cleaning materials. The user must check that it is suitable for the application in question.

Accessory:

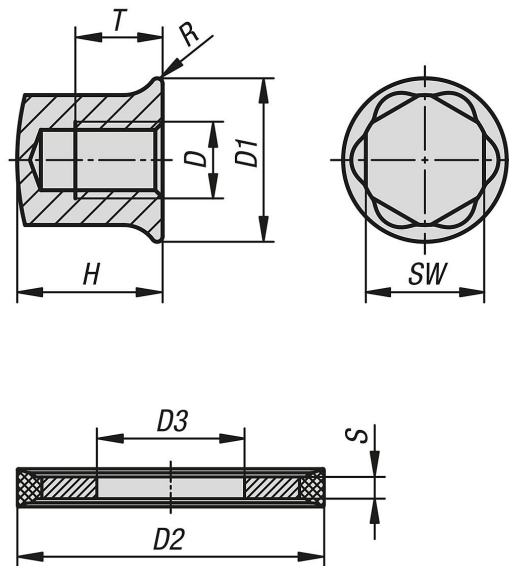
Hexagon head screw with collar K1492.

Sockets with plastic inserts K1361.

Ring/open-end spanner with protective caps K1362.

Stainless steel cap nuts with collar and seal and shim washer for Hygienic USIT® set

Drawings



Overview of items

Stainless steel cap nuts with collar and seal and shim washer for Hygienic USIT® set

| Order No. | Component material | Component colour | D | D1 | D2 | D3 | H | R | S | SW | T | Approval / Certification |
|-----------|--------------------|------------------|-----|------|------|------|----|------|-----|----|------|--------------------------|
| K1594.041 | 70 EPDM 291 | black | M4 | 10,8 | 9,7 | 4,1 | 9 | 0,45 | 1 | 7 | 4,8 | EHEDG |
| K1594.051 | 70 EPDM 291 | black | M5 | 11,8 | 10,7 | 5,1 | 11 | 0,5 | 1 | 8 | 6 | EHEDG |
| K1594.061 | 70 EPDM 291 | black | M6 | 14 | 13,1 | 6,1 | 13 | 0,55 | 1 | 10 | 7,2 | EHEDG |
| K1594.081 | 70 EPDM 291 | black | M8 | 18 | 16,9 | 8,1 | 16 | 0,6 | 1 | 13 | 9,6 | EHEDG |
| K1594.101 | 70 EPDM 291 | black | M10 | 22 | 21,2 | 10,1 | 20 | 0,75 | 1,5 | 16 | 12 | EHEDG |
| K1594.121 | 70 EPDM 291 | black | M12 | 26,6 | 25,5 | 12,1 | 23 | 0,9 | 1,5 | 18 | 14,4 | EHEDG |
| K1594.161 | 70 EPDM 291 | black | M16 | 35 | 33,9 | 16,1 | 30 | 1,2 | 1,5 | 24 | 19,2 | EHEDG |
| K1594.042 | 70 EPDM 253815 | white | M4 | 10,8 | 9,7 | 4,1 | 9 | 0,45 | 1 | 7 | 4,8 | EHEDG |
| K1594.052 | 70 EPDM 253815 | white | M5 | 11,8 | 10,7 | 5,1 | 11 | 0,5 | 1 | 8 | 6 | EHEDG |
| K1594.062 | 70 EPDM 253815 | white | M6 | 14 | 13,1 | 6,1 | 13 | 0,55 | 1 | 10 | 7,2 | EHEDG |
| K1594.082 | 70 EPDM 253815 | white | M8 | 18 | 16,9 | 8,1 | 16 | 0,6 | 1 | 13 | 9,6 | EHEDG |
| K1594.102 | 70 EPDM 253815 | white | M10 | 22 | 21,2 | 10,1 | 20 | 0,75 | 1,5 | 16 | 12 | EHEDG |
| K1594.122 | 70 EPDM 253815 | white | M12 | 26,6 | 25,5 | 12,1 | 23 | 0,9 | 1,5 | 18 | 14,4 | EHEDG |
| K1594.162 | 70 EPDM 253815 | white | M16 | 35 | 33,9 | 16,1 | 30 | 1,2 | 1,5 | 24 | 19,2 | EHEDG |
| K1594.044 | fluoroprene XP 45 | blue | M4 | 10,8 | 9,7 | 4,1 | 9 | 0,45 | 1 | 7 | 4,8 | EHEDG |
| K1594.054 | fluoroprene XP 45 | blue | M5 | 11,8 | 10,7 | 5,1 | 11 | 0,5 | 1 | 8 | 6 | EHEDG |
| K1594.064 | fluoroprene XP 45 | blue | M6 | 14 | 13,1 | 6,1 | 13 | 0,55 | 1 | 10 | 7,2 | EHEDG |
| K1594.084 | fluoroprene XP 45 | blue | M8 | 18 | 16,9 | 8,1 | 16 | 0,6 | 1 | 13 | 9,6 | EHEDG |
| K1594.104 | fluoroprene XP 45 | blue | M10 | 22 | 21,2 | 10,1 | 20 | 0,75 | 1,5 | 16 | 12 | EHEDG |
| K1594.124 | fluoroprene XP 45 | blue | M12 | 26,6 | 25,5 | 12,1 | 23 | 0,9 | 1,5 | 18 | 14,4 | EHEDG |
| K1594.164 | fluoroprene XP 45 | blue | M16 | 35 | 33,9 | 16,1 | 30 | 1,2 | 1,5 | 24 | 19,2 | EHEDG |