

## Pneumatic push-pull clamps

### Item description/product images



### Description

#### Material:

Lever parts, bracket and thrust rod, steel.  
Thrust rod housing ductile iron (SG iron)

#### Version:

Phosphated. Cylinder bright.

#### Accessory:

K0101  
K0102  
K0103  
K0106

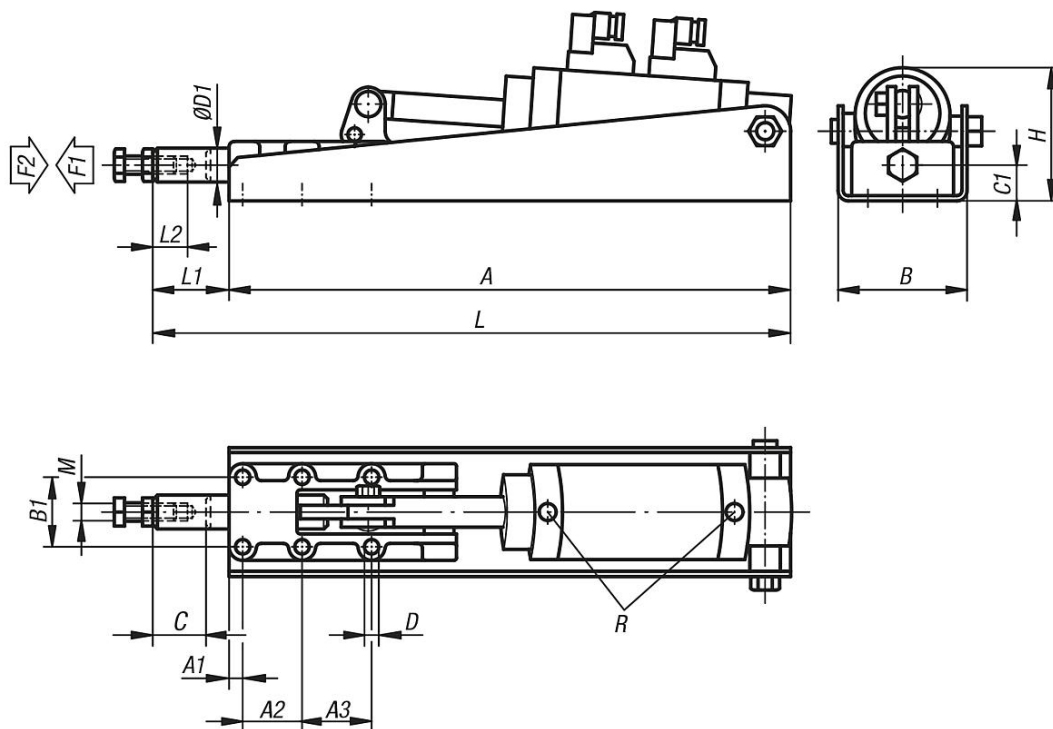
#### Pneumatic cylinder:

Double-acting without end of stroke dampening and equipped with two proximity reed switches with LED indicators.

#### Technical data for proximity reed switch:

Max. performance DC = 10 W / AC = 12 VA.  
Max. voltage rating 10 - 60 V, DC and AC.  
Max. contact rating 500 mA.

### Drawings



### Overview of items

### Pneumatic push-pull clamps

## Pneumatic push-pull clamps

### Overview of items

Order No.	A	A1	A2	A3	B	B1	C1	D	D1	H	L	L1	L2	M	R	Travel S	Retaining force F2 N	Operating pressure bar	Air consumption per cycle	strokes per min. at 6 bar
<b>K0094.0600</b>	290	25	36,5	-	59	33,4	14,5	5,5	14	53	331	41	30	M8	G1/8	-	6000	2 - 6	0,09 dm <sup>3</sup>	60
<b>K0094.1200</b>	380	8	35	41	76	41	21	8,5	20	75	435	55	40	M10	G1/8	-	12000	2 - 6	0,28 dm <sup>3</sup>	50
<b>K0094.2500</b>	475	12	45	45	96	54	26	10,3	25	96	577	102	60	M12	G1/4	-	25000	2 - 6	0,60 dm <sup>3</sup>	45

Order No.	Thrust rod extended / Clamping force F1 N
<b>K0094.0600</b>	5mm/320N, 10mm/430N, 15mm/650N, 20mm/870N, 22mm/1000N, 24mm/1500N,
<b>K0094.1200</b>	5mm/1200N, 10mm/1400N, 15mm/1650N, 20mm/1950N, 25mm/2300N, 27mm/2550N,
<b>K0094.2500</b>	5mm/1400N, 10mm/1600N, 15mm/1750N, 20mm/2000N, 25mm/2100N, 30mm/2450N,