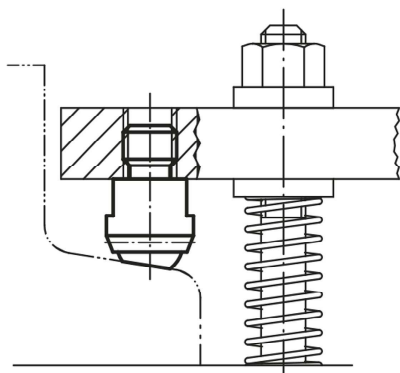


## Self-aligning pads

### Item description/product images



### Description

#### Material:

Body carbon steel.

Ball, ball bearing steel 1.2067.

Form D: Ball with POM insert.

Form H: Ball with POM insert.

Form K: Ball with carbide insert.

Form M has a carbide ball.

#### Version:

Body tempered and phosphated.

Ball hardened.

Form M ball nickel plated.

#### Note:

Self-aligning pads serve as stops, supports and thrust pads in fixture constructions.

Ball secured against rotation.

\* Valid only if the minimum bore depth is observed.

#### Drawing reference:

Form C: with male thread, flattened ball, smooth.

Form D: with male thread, flattened ball, with POM insert.

Form F: with male thread, flattened ball, diamond grip.

Form M: with male thread, flattened ball, with carbide insert.

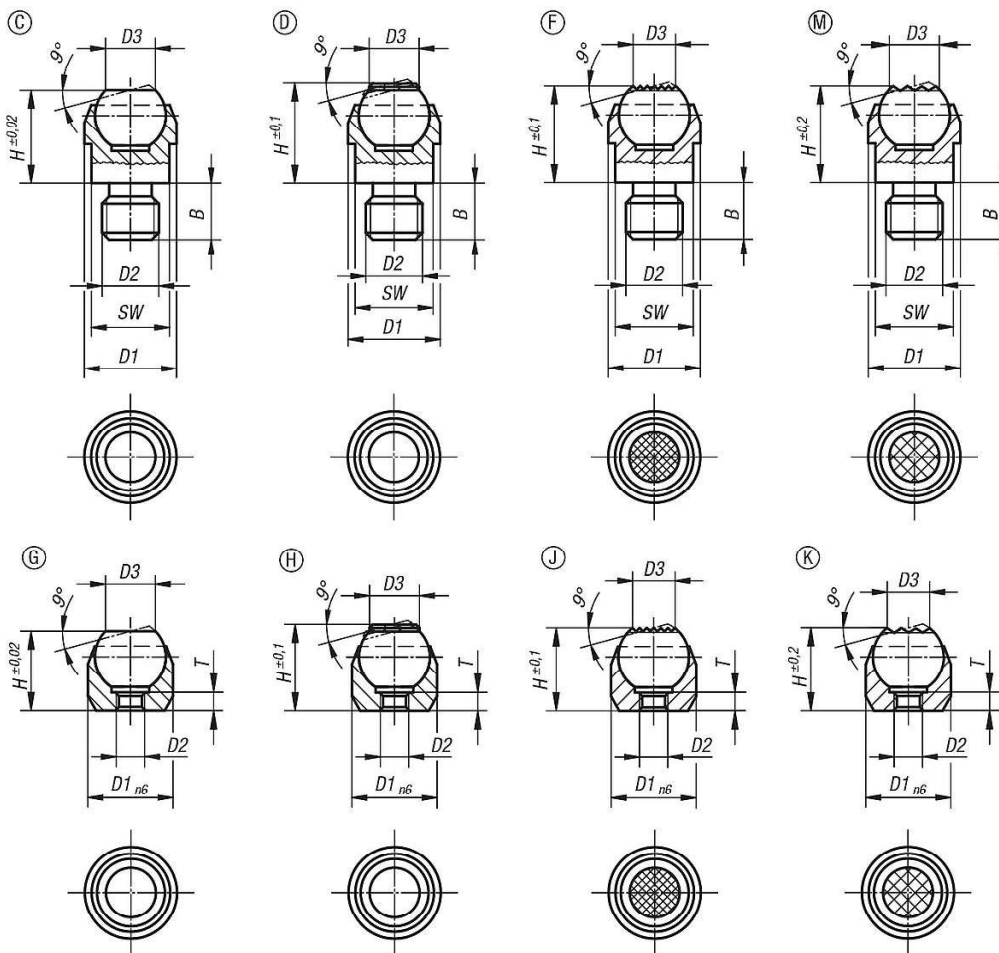
Form G: press fit, flattened ball, smooth.

Form H: press fit, flattened ball, with POM insert.

Form J: press fit, flattened ball, diamond grip.

Form K: press fit, flattened ball, with carbide insert.

Drawings



Overview of items

Form C, with male thread, flattened ball, plain

| Order No. | Form | B  | D1 | D2  | D3   | H  | Ball-Ø | SW | Load rating max. kN (static load only) |
|-----------|------|----|----|-----|------|----|--------|----|--|
| K0282.108 | C    | 8  | 13 | M8  | 7,2  | 13 | 10     | 11 | 10                                     |
| K0282.110 | C    | 10 | 20 | M10 | 10,5 | 18 | 16     | 17 | 25                                     |
| K0282.112 | C    | 12 | 20 | M12 | 10,5 | 18 | 16     | 17 | 25                                     |
| K0282.116 | C    | 16 | 30 | M16 | 20   | 27 | 25     | 27 | 90                                     |
| K0282.120 | C    | 20 | 50 | M20 | 34,5 | 35 | 40     | 41 | 165                                    |

Form D, with male thread, flattened ball, with POM insert

| Order No. | Form | B  | D1 | D2  | D3   | H  | Ball-Ø | SW | Load rating max. kN (static load only) |
|-----------|------|----|----|-----|------|----|--------|----|--|
| K0282.208 | D    | 8  | 13 | M8  | 7,9  | 13 | 10     | 11 | 10                                     |
| K0282.210 | D    | 10 | 20 | M10 | 12,7 | 18 | 16     | 17 | 25                                     |
| K0282.212 | D    | 12 | 20 | M12 | 12,7 | 18 | 16     | 17 | 25                                     |

Form F, male thread, flattened ball, diamond grip

## Self-aligning pads

### Overview of items

| Order No. | Form | B  | D1 | D2  | D3   | H  | Ball-Ø | SW | Load rating<br>max. kN<br>(static load only) |
|-----------|------|----|----|-----|------|----|--------|----|--|
| K0282.308 | F    | 8  | 13 | M8  | 7,2  | 13 | 10     | 11 | 10   |
| K0282.310 | F    | 10 | 20 | M10 | 10,5 | 18 | 16     | 17 | 25   |
| K0282.312 | F    | 12 | 20 | M12 | 10,5 | 18 | 16     | 17 | 25   |
| K0282.316 | F    | 16 | 30 | M16 | 20   | 27 | 25     | 27 | 90   |
| K0282.320 | F    | 20 | 50 | M20 | 34,5 | 35 | 40     | 41 | 165  |

### Form M, male thread, flattened ball, with carbide insert

| Order No. | Form | B  | D1 | D2  | D3  | H    | Ball-Ø | SW | Load rating<br>max. kN<br>(static load only) |
|-----------|------|----|----|-----|-----|------|--------|----|--|
| K0282.908 | M    | 8  | 13 | M8  | 7,7 | 13,3 | 10     | 11 | 10   |
| K0282.910 | M    | 10 | 20 | M10 | 12  | 18   | 16     | 17 | 25   |
| K0282.912 | M    | 12 | 20 | M12 | 12  | 18   | 16     | 17 | 25   |

### Form G, press fit, flattened ball, flat face

| Order No. | Form | D1 | D2 | D3   | H  | T   | Ball-Ø | Receiving<br>hole | Load rating<br>max. kN<br>(static load only) |
|-----------|------|----|----|------|----|-----|--------|-------------------|--|
| K0282.403 | G    | 12 | M3 | 7,2  | 11 | 3,5 | 10     | Ø 12 H7X6 min.    | 10*  |
| K0282.404 | G    | 18 | M4 | 10,5 | 17 | 4,4 | 16     | Ø 18 H7X8 min.    | 25*  |
| K0282.405 | G    | 28 | M5 | 20   | 25 | 6,3 | 25     | Ø 28 H7X13 min.   | 90*  |

### Form H, press fit, flattened ball, with POM insert

| Order No. | Form | D1 | D2 | D3    | H  | T | Ball-Ø | Receiving<br>hole | Load rating<br>max. kN<br>(static load only) |
|-----------|------|----|----|-------|----|---|--------|-------------------|--|
| K0282.503 | H    | 12 | M3 | 7,9   | 11 | 3 | 10     | Ø 12 H7X6 min.    | 10*  |
| K0282.504 | H    | 18 | M4 | 12,7  | 17 | 4 | 16     | Ø 18 H7X8 min.    | 25*  |
| K0282.505 | H    | 28 | M5 | 19,05 | 25 | 6 | 25     | Ø 28 H7X13 min.   | 90*  |

### Form J, press fit, flattened ball, diamond grip

| Order No. | Form | D1 | D2 | D3   | H  | T   | Ball-Ø | Receiving<br>hole | Load rating<br>max. kN<br>(static load only) |
|-----------|------|----|----|------|----|-----|--------|-------------------|--|
| K0282.603 | J    | 12 | M3 | 7,2  | 11 | 3,5 | 10     | Ø 12 H7X6 min.    | 10*  |
| K0282.604 | J    | 18 | M4 | 10,5 | 17 | 4,4 | 16     | Ø 18 H7X8 min.    | 25*  |
| K0282.605 | J    | 28 | M5 | 20   | 25 | 6,3 | 25     | Ø 28 H7X13 min.   | 90*  |

### Form K, press fit, flattened ball, with carbide insert

| Order No. | Form | D1 | D2 | D3    | H  | T | Ball-Ø | Receiving<br>hole | Load rating<br>max. kN<br>(static load only) |
|-----------|------|----|----|-------|----|---|--------|-------------------|--|
| K0282.803 | K    | 12 | M3 | 7,9   | 11 | 3 | 10     | Ø 12 H7X6 min.    | 10*  |
| K0282.804 | K    | 18 | M4 | 12,7  | 17 | 4 | 16     | Ø 18 H7X8 min.    | 25*  |
| K0282.805 | K    | 28 | M5 | 19,05 | 25 | 6 | 25     | Ø 28 H7X13 min.   | 90*  |