

## Ball-end thrust screws without head stainless steel with flattened ball and rotation lock

Item description/product images



### Description

#### Material:

Screw and ball stainless steel.

#### Version:

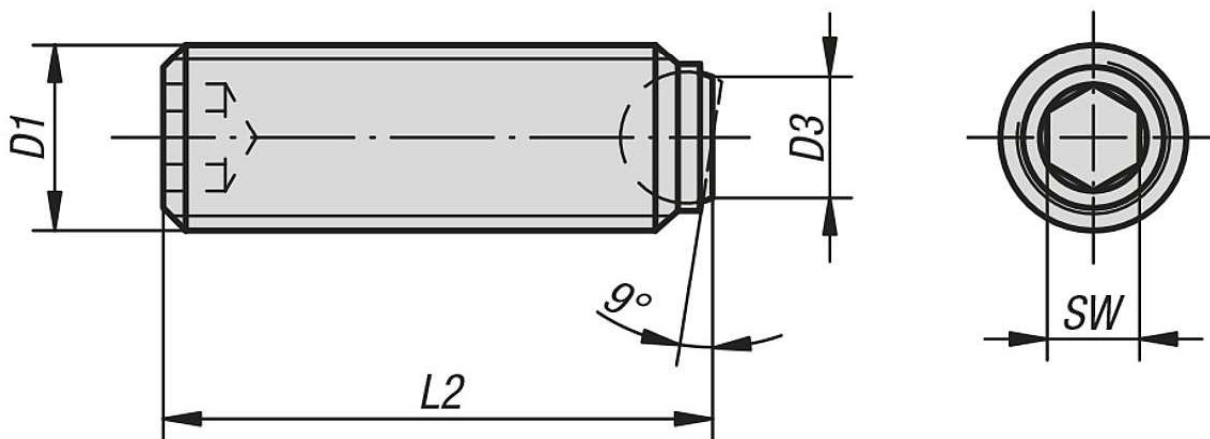
Stainless steel bright.

#### Note:

Surfaces which are not flat and parallel can be firmly clamped or supported with a flattened ball, the movable ball can adapt itself up to 9°.

Longer versions have been designed especially to be glued in. This enables mechanical connecting elements with male thread to be made cost-effectively for small and medium-sized series.

### Drawings



### Overview of items

Order No.	D1	D3	L2	Ball Ø	SW
K0384.50612	M6	3	12,1	4	3
K0384.50616	M6	3	16,1	4	3
K0384.50620	M6	3	20,1	4	3
K0384.50625	M6	3	25,1	4	3
K0384.50816	M8	4,1	16,3	5,5	4
K0384.50820	M8	4,1	20,3	5,5	4
K0384.50825	M8	4,1	25,3	5,5	4
K0384.50830	M8	4,1	30,3	5,5	4
K0384.51020	M10	5,6	20,3	7	5
K0384.51025	M10	5,6	25,3	7	5
K0384.51035	M10	5,6	35,3	7	5
K0384.51040	M10	5,6	40,2	7	5
K0384.51220	M12	7	20,2	8,5	6
K0384.51230	M12	7	30,2	8,5	6
K0384.51240	M12	7	40,2	8,5	6
K0384.51250	M12	7	50	8,5	6
K0384.51635	M16	10,7	35	12	8
K0384.51650	M16	10,7	50	12	8

**Ball-end thrust screws without head stainless steel with flattened ball  
and rotation lock**

Overview of items

---

